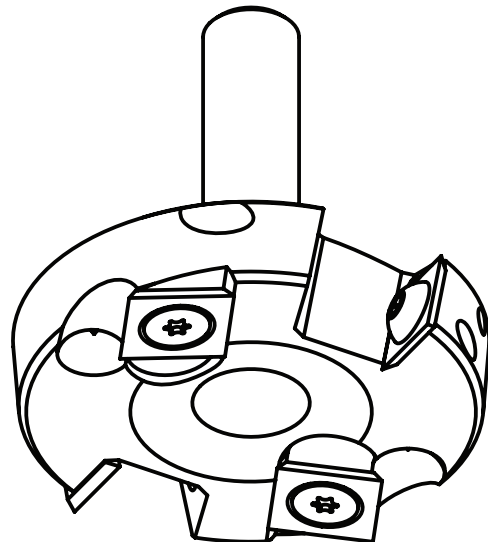
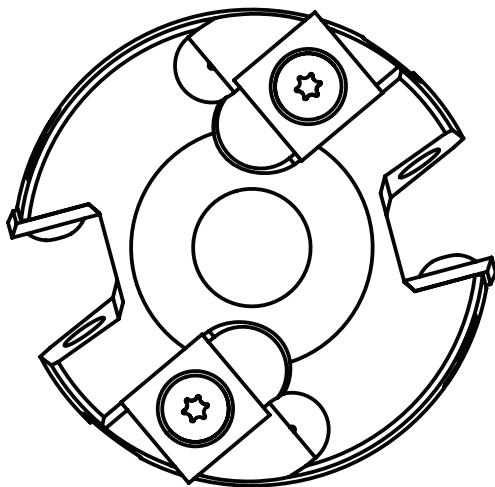
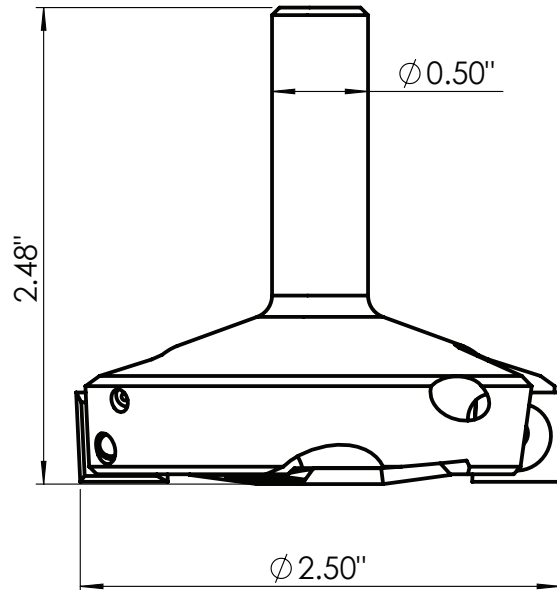
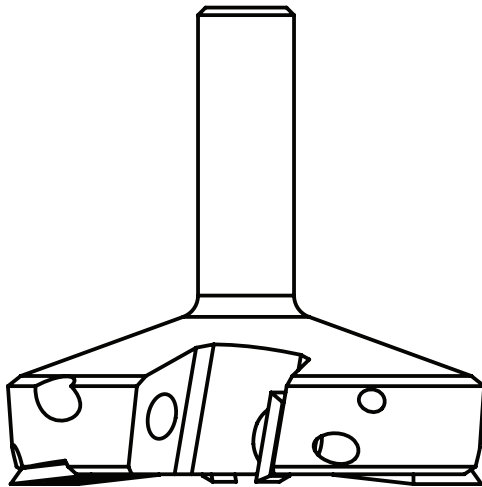


Solid Carbide Insert Spoilboard Surfacing & Rabbeting CNC Router Bit with Scorers RC-2251

1:1 Scale



Solid Carbide Insert Spoilboard Surfacing & Rabbeting CNC Router Bit with Scorers

RC-2252

1:1 Scale

