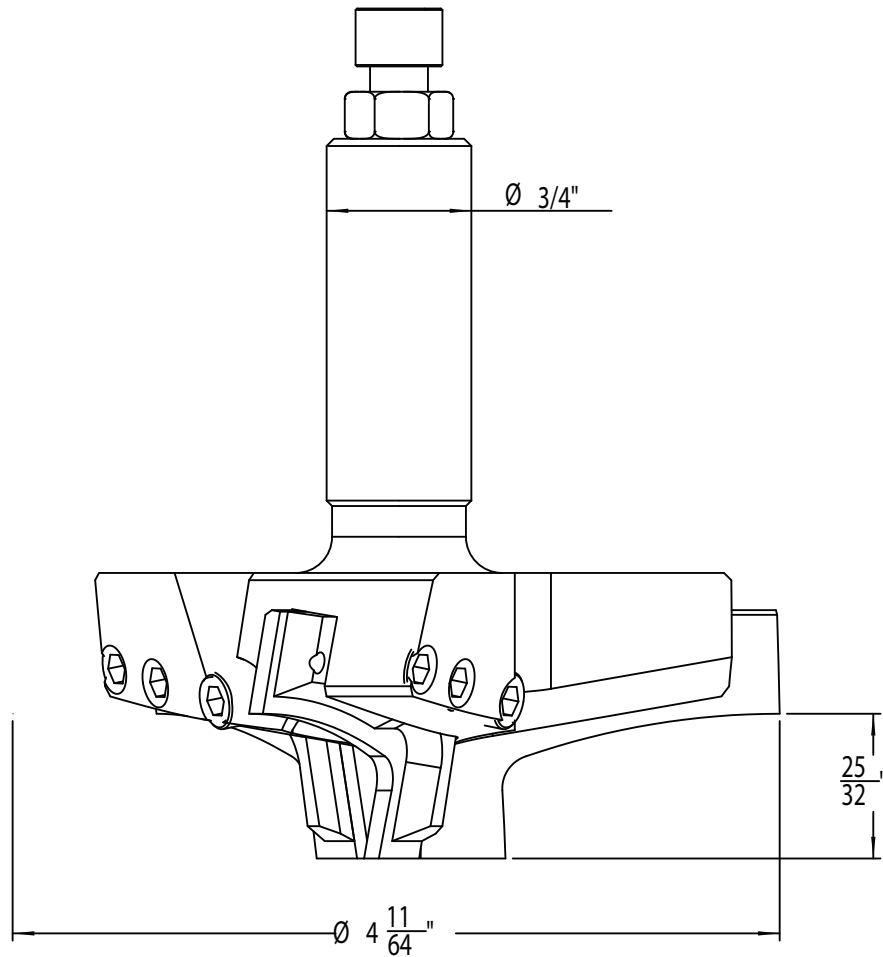


Solid Carbide Insert Multi Profile Raised Panel RC-4070

INDUSTRIAL



This is an Amana Tool proprietary drawing.
Any copy or transfer without permission from Amana Tool is prohibited.

▲ This DXF file is to be used on a CNC machine only in accordance with the Amana Tool No. listed above.