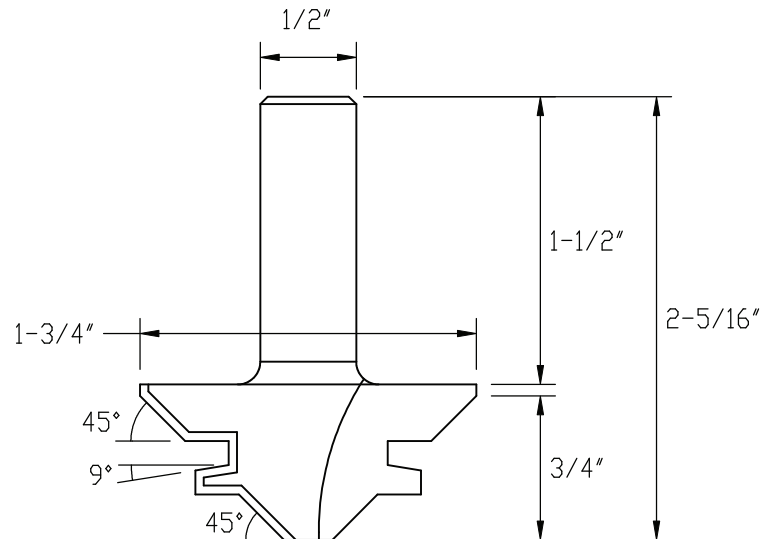


Carbide Tipped 45° Lock Miter 55389

INDUSTRIAL

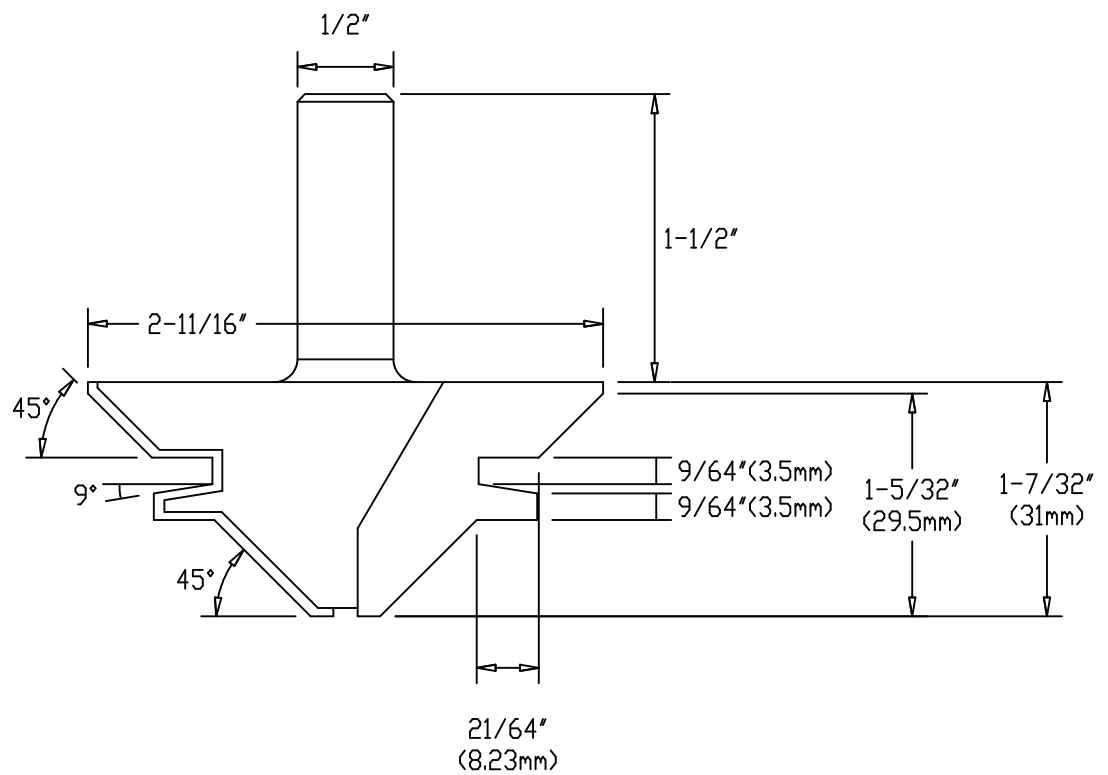


This is an Amana Tool proprietary drawing.
Any copy or transfer without permission from Amana Tool is prohibited.

⚠ This DXF file is to be used on a CNC machine only in accordance with the Amana Tool No. listed above.

Carbide Tipped 45° Lock Miter 55390

INDUSTRIAL

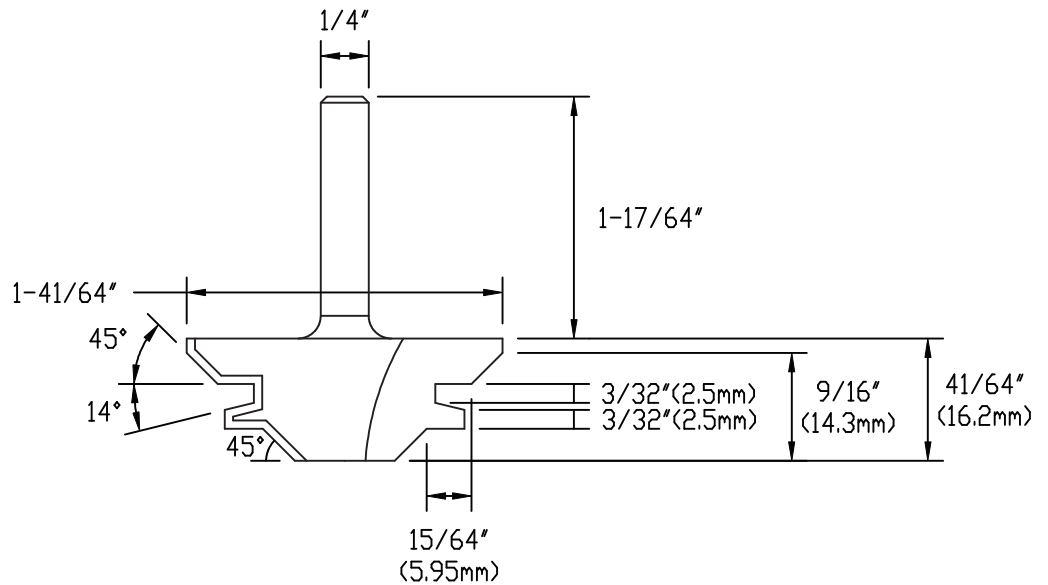


This is an Amana Tool proprietary drawing.
Any copy or transfer without permission from Amana Tool is prohibited.

▲ This DXF file is to be used on a CNC machine only in accordance with the Amana Tool No. listed above.

Carbide Tipped 45° Lock Miter 55391

INDUSTRIAL

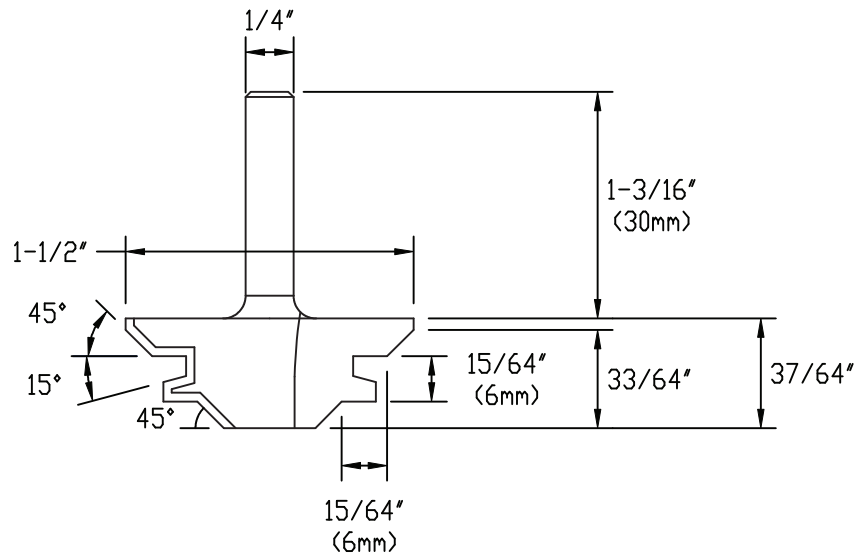


This is an Amana Tool proprietary drawing.
Any copy or transfer without permission from Amana Tool is prohibited.

▲ This DXF file is to be used on a CNC machine only in accordance with the Amana Tool No. listed above.

Carbide Tipped 45° Lock Miter 55393

INDUSTRIAL



This is an Amana Tool proprietary drawing.
Any copy or transfer without permission from Amana Tool is prohibited.

▲ This DXF file is to be used on a CNC machine only in accordance with the Amana Tool No. listed above.