

Carbide Tipped Flush Trim

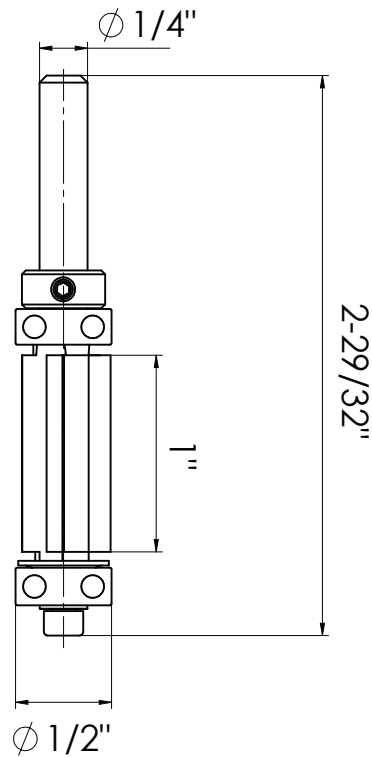
INDUSTRIAL

57180

This is an Amana Tool proprietary drawing.

Warning: This DXF file shall be used only for measurement purposes in accordance with the Amana Tool® product number listed above. This DXF file shall never be used with any other tools or products including, without limitation, those with similar measurements. Failure to adhere to this warning is dangerous and can result in bodily injury or property damage.

© Copyright Amana Tool® All Rights Reserved



Carbide Tipped Flush Trim

INDUSTRIAL

57181

This is an Amana Tool proprietary drawing.

Warning: This DXF file shall be used only for measurement purposes in accordance with the Amana Tool® product number listed above. This DXF file shall never be used with any other tools or products including, without limitation, those with similar measurements. Failure to adhere to this warning is dangerous and can result in bodily injury or property damage.

© Copyright Amana Tool® All Rights Reserved

