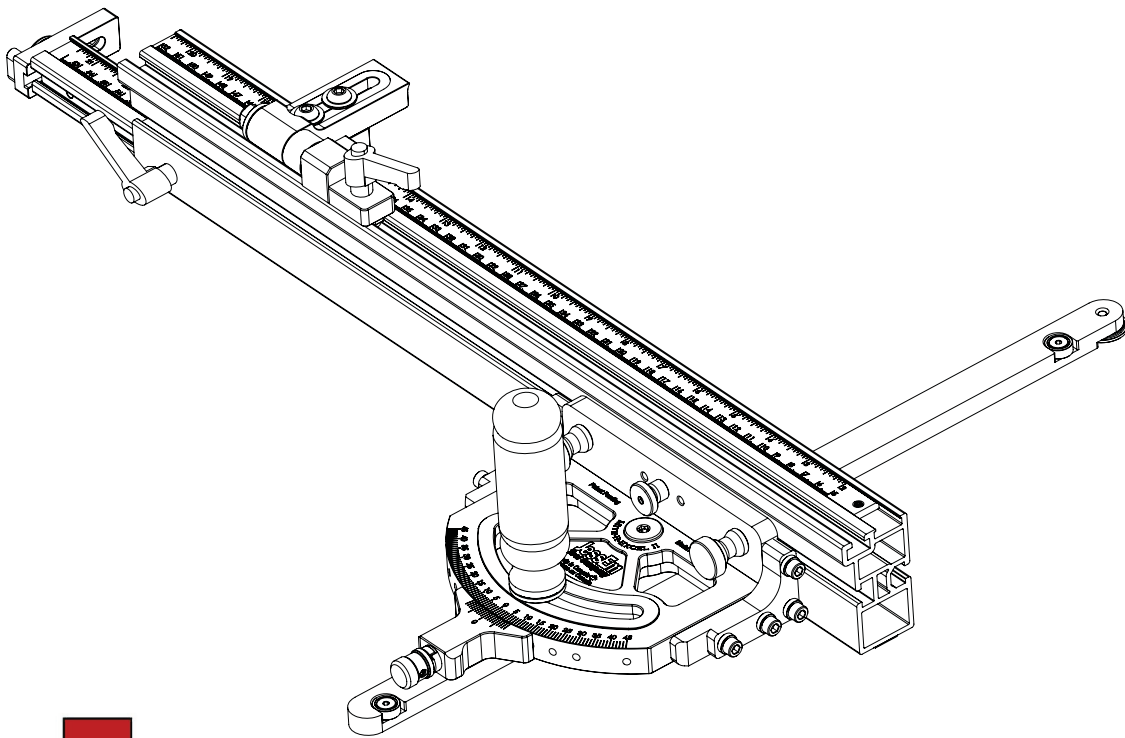


MITER EXCEL II™

Owners Manual

Model #07150



JesseM
Tool Company

61 Forest Plain Road
Oro-Medonte, Ontario,
Canada, L3V 0R4

Toll Free: 1-800-436-6799

Local: 705-726-8233

Email: jessem@jessem.com

Web: www.jessem.com

JessEm Tool Company - Limited Warranty - Warranty Limitations

All JessEm products are warranted to be free from defects in material and workmanship. JessEm will repair or replace any product which upon inspection, proves to be defective for a period of (1) year from dated receipt and proof of purchase from an authorized JessEm Distributor. All warranty claims should be made direct to JessEm Tool Company.

Contact JessEm for a warranty claim return authorization and instructions to proceed. The consumer is responsible for shipping costs to return product to JessEm Tool Company. We will repair or replace the product at our discretion and JessEm Tool will return shipment to you at no charge.

This warranty does not cover:

- Repairs or alterations made or attempted by anyone other than JessEm Tool Company or an authorized JessEm service professional.
- Normal wear and tear.
- Abuse, misuse or neglect.
- Improper care or maintenance.
- Continued use after partial failure.
- Products that have been modified in any way.
- Products used with improper accessories

Message to our Customer

Thank you for choosing the Mite-R-Excel II™ from JessEm Tool Company. We appreciate your support and hope that our product serves you well. This product is designed to provide many years of reliable service, provided it is used as intended and taken care of.



IMPORTANT
**Read and understand the contents of
this manual before assembly or
operation of this product**

This user manual will assist you in assembly and general operation of this product. It is not our intent to teach you about woodworking. It is assumed that you are an experienced woodworker with the basic skills and experience necessary to use this product safely. If after reading the following instructions, you are unsure or uncomfortable about safely using this product, we urge you to seek additional information through widely available woodworking books or classes.

Continuous Product Improvement Policy

As part of our Continuous Product Improvement Policy, JessEm products are always advancing in design, quality and function. Therefore, there may be differences between what is shown in our catalogs, on our website, on retail displays and what is sold at time of purchase. We reserve the right to make positive changes to our products at our discretion to ensure you, the customer, have the very best product.

Important Safety Precautions

SAFETY PRECAUTIONS

When using the JessEm Mite-R-Excel II™ in conjunction with any other tool, first read and follow all instructions and safety information in that tool's owner's manual.

When using the Mite-R-Excel II™, always keep your hands clear of the cutter and the line of cut.

Always turn off the power and make sure that the cutter comes to a complete stop before changing the setting of any part of the Mite-R-Excel II™

Always securely tighten the large clamping knob before starting any cut.

Always wear safety glasses, hearing protection, and follow all normal shop safety practices.

After making any adjustments to the miter angle of your Mite-R-Excel II™, always verify safe clearance between the cutter and all parts of the JessEm Mite-R-Excel II™

Before operating any machinery or power tool, read and understand all safety instructions in the owner's manual that came with that tool's owner's manual.

If you do not have a manual, contact the manufacturer and obtain one before using any power tool.

Always wear eye protection in compliance with ANSI safety standards when operating any power tool.

Always use proper guards and safety devices when operating power tools and machinery.

Carefully check table saw blades before each use.

Do not use if damage or defect is suspected.

Do not wear loose clothing or jewelry that may catch on tools or equipment.

Unplug the tool or machine when mounting or making any adjustments to mechanical performance.

A) Personal Safety

i) Stay alert, watch what you are doing and use common sense when operating a tool. Do not use a power tool while you are tired or under the influence of drugs, alcohol or medication. Serious personal injury could result if complete attention is not given while operating power tools.

ii) Always wear safety glasses. Everyday eyeglasses are not safety glasses. Safety glasses have specially constructed frames, lenses and side shields for better protection.

iii) Use safety equipment. Use a face or dust mask when the cutting operation is dusty. Safety equipment such as dust masks, hard hats, non-skid safety shoes and hearing protection reduces personal injuries when used for appropriate conditions. If devices and tools allow for dust extraction and collection, ensure these are connected and properly used.

iv) Do not overreach. Keep proper footing and balance at all times. This allows for better control of the power tool in unexpected situations.

v) Never stand on the machine. Serious injury could occur if the tool tips or if the cutting tool is unintentionally contacted.

vi) Secure workpieces. Use clamps or vises to hold work when practical. This is safer than using your hands and frees both hands to operate the tools

vii) Dress appropriately. Do not wear loose clothing or jewelry. Ensure you keep clothing, hair and gloves away from moving parts. Loose clothing, jewelry or long hair can be caught in moving parts. Roll up long sleeves to the elbow. Wear protective hair covering to contain long hair.

viii) Avoid accidental starting. Ensure the switch is in the off position before you plug it in. Carrying a power tool in your hands with your finger on the switch or plugging in a power tool that has the switch on is inviting accidents.

ix) Remove any adjusting key or wrench before turning the power tool on. A wrench or a key left attached to a rotating part of the power tool could result in personal injury.

B) Work Area Safety

i) Make your workshop child proof. Use padlocks, master switches, or remove starter keys. **ii)** Keep work area clean and well lit. Clutter and/or dark areas encourage accidents

ii) Keep children and bystanders away while operating a power tool. Complete attention is required when operating a power tool.

C) Electrical Safety

i) Ground electrical tools. If the tool is equipped with a three-prong plug, it must only be plugged into a grounded three-hole electrical outlet. If required, a qualified electrician can install one. Never remove the third prong or modify the plug that is provided in any way.

ii) Never expose a power tool to rain or wet conditions. You will increase the risk of electric shock if water enters the power tool.

iii) Using power tools in damp or wet locations or conditions is extremely dangerous.

iv) Do not operate any power tool in an explosive atmosphere, in the presence of flammable liquids, gases or dust. Power tools can create sparks which may ignite the fumes or dust.

Contents of Packaging

QUANTITY AND CONTENTS OF PACKAGING

- (1) - Mite-R-Excel II Gauge and Bar Assembly
- (1) - Mite-R-Excel II Fence
- (1) - Fence Stop and Mounting Hardware
- (1) - 3/8" ID x 1" OD Washer
- (1) - Handle
- (1) - Fence Stop T-Bolt (Short)
- (2) - Fence Clamping T-Bolt (Long)
- (3) - 1/4" ID x 5/8" OD Washer
- (1) - 1/4-20 x 1/2" Button Head Cap Screw
- (1) - 1/4-20 x 3/4" Button Head Cap Screw
- (2) - 1/4-20 Square Nut
- (2) - 1/4-20 x 1-1/4" Phillips Flat Head Screw
- (1) - 5/32" Hex Key
- (1) - 1/8" Hex Key
- (1) - 3/32" Hex Key
- (1) - 5/64" Hex Key
- (1) - 3/32" Hex Key Extension

TOOLS REQUIRED FOR ASSEMBLY

- (1) - 5/32" Hex Key (included)
- (1) - 1/8" Hex Key (included)
- (1) - 3/32" Hex Key (included)
- (1) - 5/64" Hex Key (included)
- (1) - 3/32" Hex Key Extension (included)

Important Safety Precautions



IMPORTANT!

Make sure that no part of the Mite-R-Excel II™ or fence can make contact with the blade or cutter and all knobs are securely tightened before each use.



WARNING: This product can expose you to chemicals, including chromium which is known to the State of California to cause cancer and birth defects or other reproductive harm. For more information go to www.P65Warnings.ca.gov



WARNING: Drilling, sawing, sanding or machining wood products can expose you to wood dust, a substance known to the State of California to cause cancer. Avoid inhaling wood dust or use a dust mask or other safeguards for personal protection. www.P65Warnings.ca.gov/wood

Assembly Instructions

The following instructions are for assembling the Mite-R-Excel II™. Please note that the Mite-R-Excel II™ is factory set and only assembly is required.

Step 1: Assembly of the Flip Stop

- a. Using the 5/32" hex key, attach the flip stop upper (Part #20) and the flip stop lower (Part #13) using (1) 1/4-20 x 1/2" button head cap screw (Part #17) and (1) 1/4-20 x 3/4" button head cap screw (Part #18) along with (2) 1/4" x 5/8" washers (Part #19). See **Figure 1**
- b. Attach the clamping handle (Part #11) along with (1) 1/4" x 5/8" washer (Part #19) to the flip stop assembly using the Flip Stop T-Bolt - Short (Part #35) as shown in **Figure 1**.

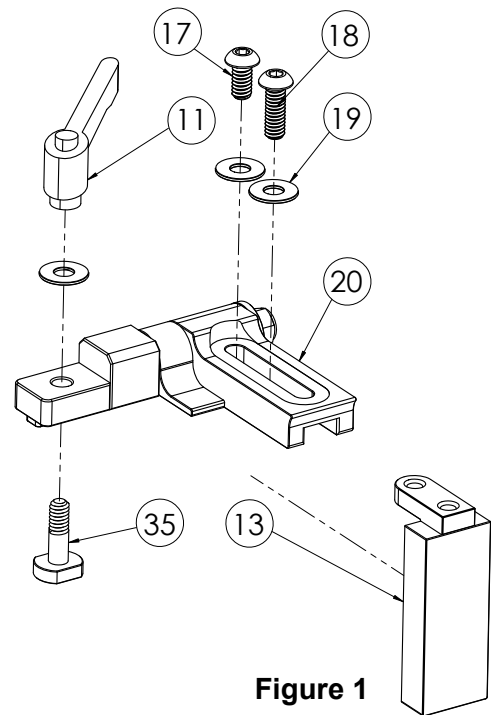


Figure 1

Step 2: Attaching the Flip Stop to the Mite-R-Excel II™ Fence

- a. Loosen the clamping handle (Part #11) and slide the Flip Stop T-Bolt - Short (Part #35) into the T-slot on the Fence Extrusion (Part #33). See **Figure 2**

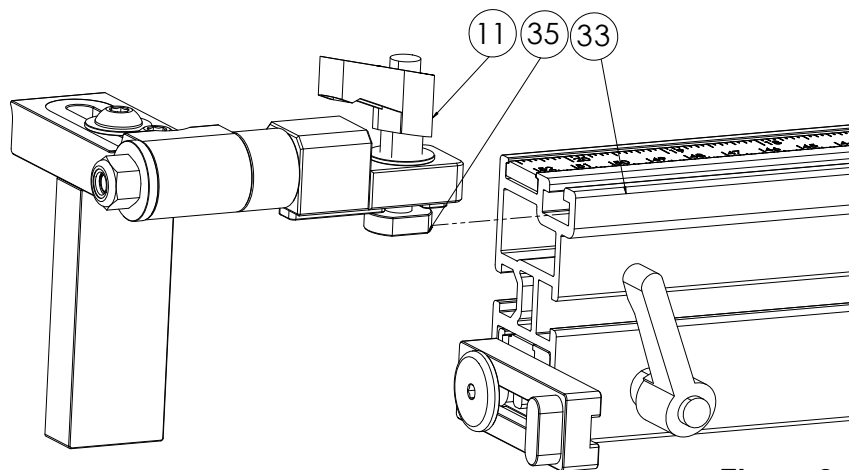


Figure 2

Step 3: Assembling the Mite-R-Excel II™

- a. Slide the 3/8" x 1" Stainless Steel Washer (Part #41) onto the Handle (Part #10) and thread the handle into the guide bar (Part #56) as shown in **Figure 3**.
- b. Slide (2) Fence Clamping T-Bolts - Long (Part #64) into the Fence Mount (Part #44) and secure them in place with the Fence Knobs (Part #45) as shown in **Figure 3**.

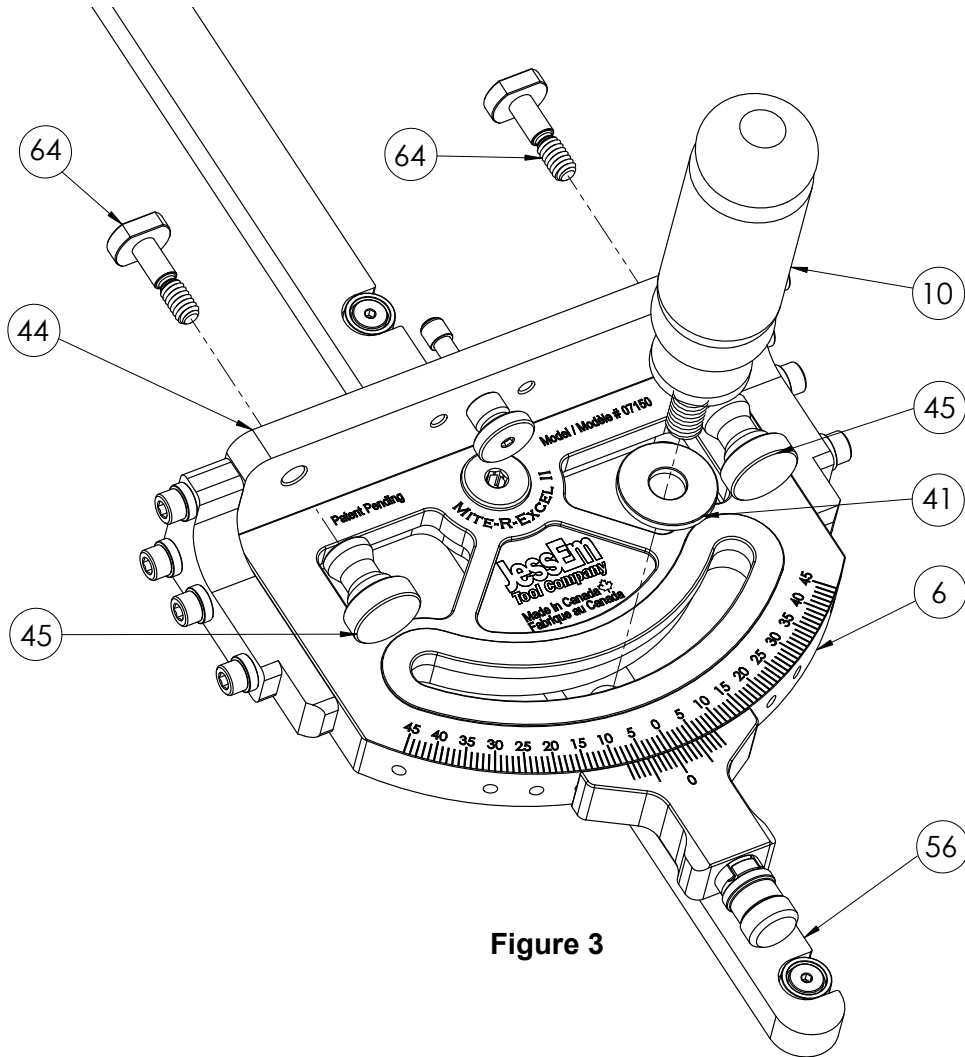


Figure 3

Step 4: Setting/Tightening the Guide Bar in the Miter Slot



**** NOTE **** Since all miter slots are machined differently, it is important to set the guide bar so that it moves smoothly during operation. If after following our directions below, you notice a tight spot on the miter slot, you can either file or stone off the high spot on the Miter Slot in your table saw or reset the Mite-R-Excel II™ in that area.

- a. With the 3/32" hex key, loosen the (3) three snuggler screws (Part #3), and slide the gauge into the miter slot on your table saw.
- b. Place a single sheet of paper in between one of the snuggers (See **Part E** in **Figure 4**) on the guide bar and the side of the miter slot. See **Figure 4**. With the 3/32" hex key tighten the snuggler mounting screw (Part #3) Repeat this step at each of the three snuggler locations.



Place paper in front of snuggler, then slide gauge over paper

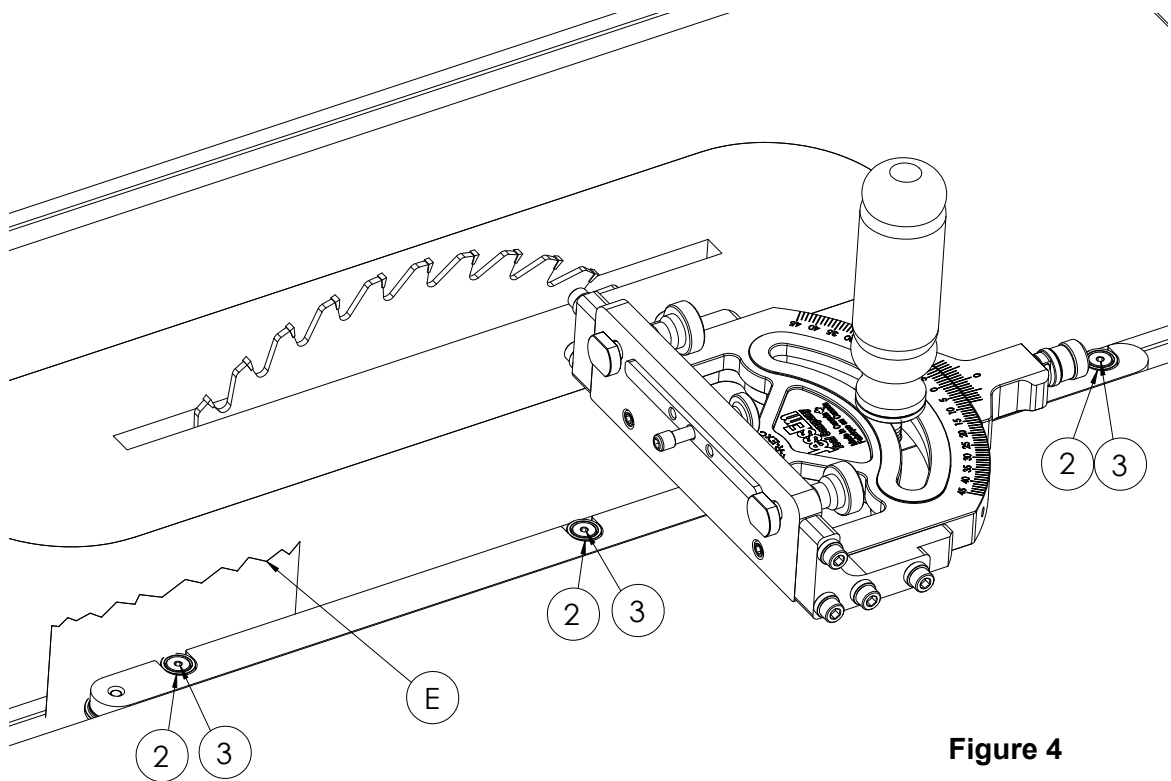


Figure 4

- c. Test to make sure the Mite-R-Excel II™ moves smoothly. Refer to the note above in order to fix any possible tight spots on the miter slot.

Step 5: Attaching the Fence Extrusion to the Mite-R-Excel II™ Assembly



****NOTE**** The Fence Locating Pin Knob was designed to always allow for the user to keep their fence properly referenced from the blade when the gauge is set to 0 degrees. Not all table saw are the same. The instructions below will allow you to properly reference the fence to suit your needs.

- a. Pull the Fence Locating Pin Knob (Part # 40) back and loosen both Fence Knobs (Part #45). Slide the fence extrusion through both of the Fence Clamping T-Bolts - Long (Part #64). See **Figure 5**.

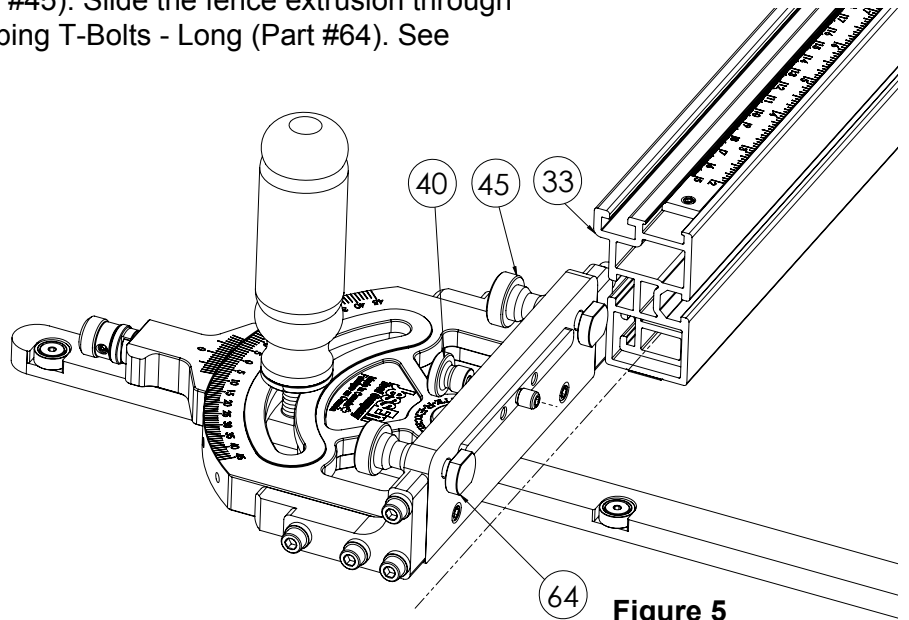


Figure 5

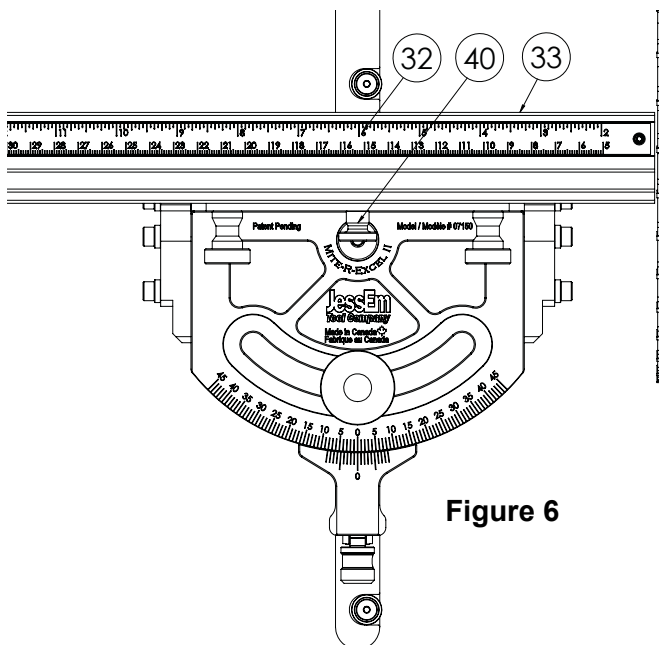


Figure 6

- b. Once the extrusion is through both T-Bolts, line up the Fence Locating Pin Knob (Part #40) with the 6 inch mark on the ruler (See **Figure 6**). Push the knob forward to engage it as you slowly slide the fence towards the blade. At roughly the 6-1/8" mark on the ruler, (See Part 32 in Figure 6) the locating pin will engage with the preset Fence Locating Nut in the fence extrusion. When the locating pin is engaged, tighten both fence knobs.

How To Set or Reset the Fence Locating Nut Inside the Fence



Ensure your table saw is OFF and UNPLUGGED before resetting the fence locating nut.

- Using the directions above, use the fence locating pin knob to find the preset locating nut inside the fence.
- Once the fence locating pin knob (Part #40) is engaged into the Fence Locating Nut (Part #36) See **Figure 7**, tighten the 2 Fence Knobs (Part #45).

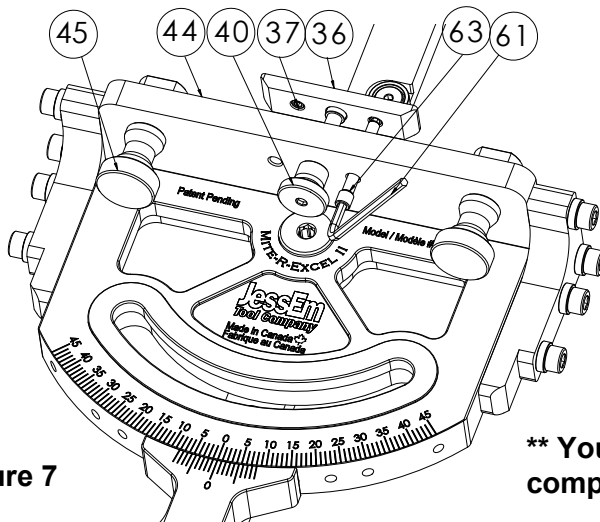


Figure 7



** You may remove the handle (Part #10) to complete the following steps if you choose too.

- Slide the flip stop over to the 3" mark on the ruler (See **Figure 8**) and lock it into place.

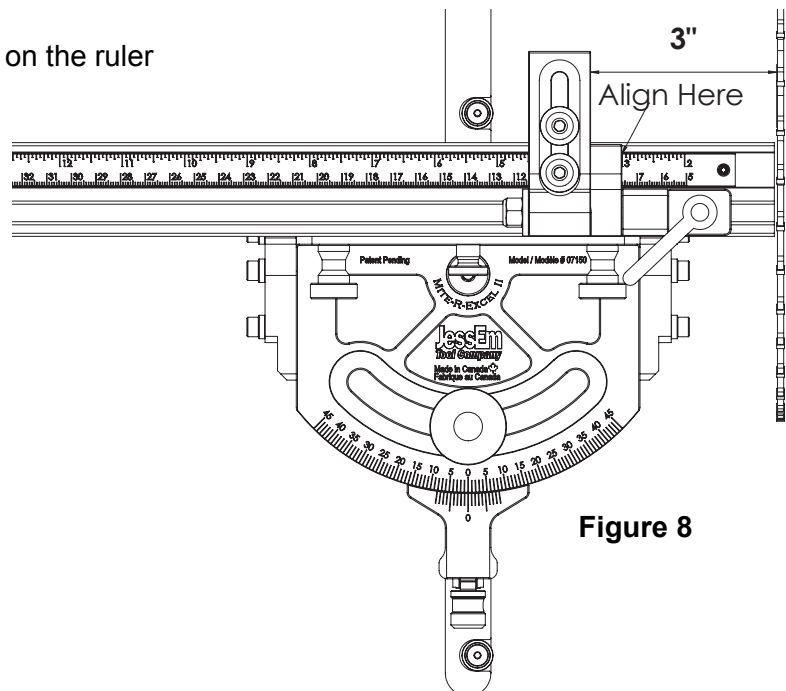


Figure 8

- d. Using the 3/32" Hex Key provided, attach the hex key extension (Part #63) to the Hex Key **Figure 9A** and insert the hex key into each of the two holes next to the Fence Locating Pin Knob and loosen the #10-32 x 3/16" Flat Point Set Screws (Part #37). See **Figure 9**
- e. Add a 3" block of wood in between the blade and flip stop (See **Figure 8**). ****Note:** You can use any size of wood you may have lying around your shop for this step, just be sure to set your flip stop to the appropriate length ******
- f. Slide the fence extrusion either closer or further away from the blade until the block of wood touches the blade. The distance from the Fence to blade should be roughly 1/16" once the fence is adjusted.
- g. Once the fence is set, using the 3/32" Hex Key and the hex key extension provided, tighten both of the #10-32 x 3/16" Flat Point Set Screw (Part #37)

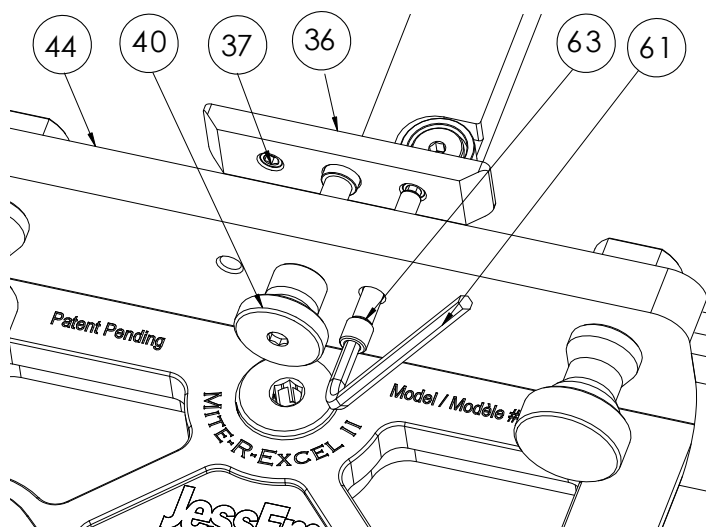


Figure 9

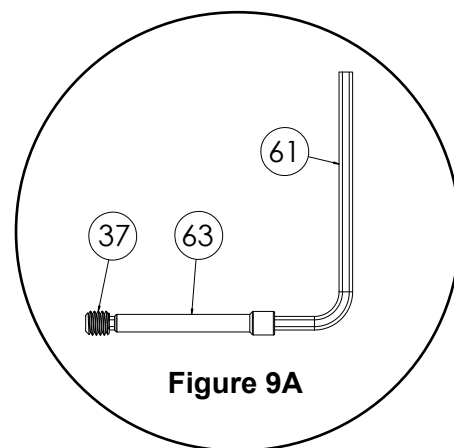


Figure 9A

Squaring the Fence to the Table

- a. Make sure the gauge is set in the 0 degree position. See **Figure 10**

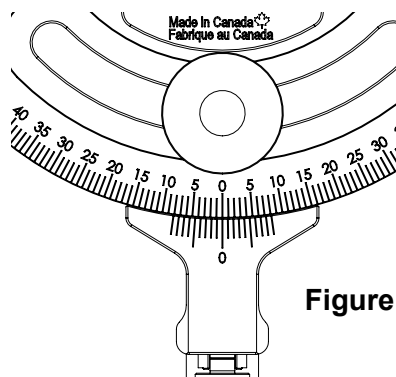


Figure 10

- b. Loosen off (4) Four #10-32 x 7/8" Socket Head Screw on both sides of the gauge (Part #9.3 & 9.4) as shown in **Figure 11**.

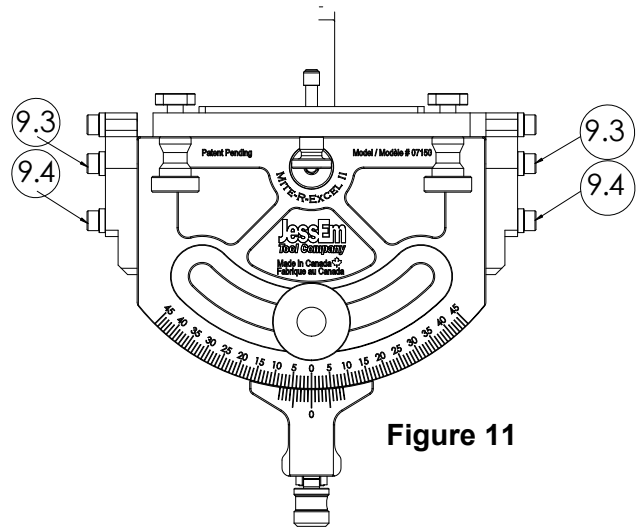


Figure 11



- c. Make sure the (2) 1/4-28 x 5/16" Flat Point Set Screw (Part # 39) are loose before moving on to step (d). Set screws should not contact gauge (Part #6) Shown in **Figure 12**

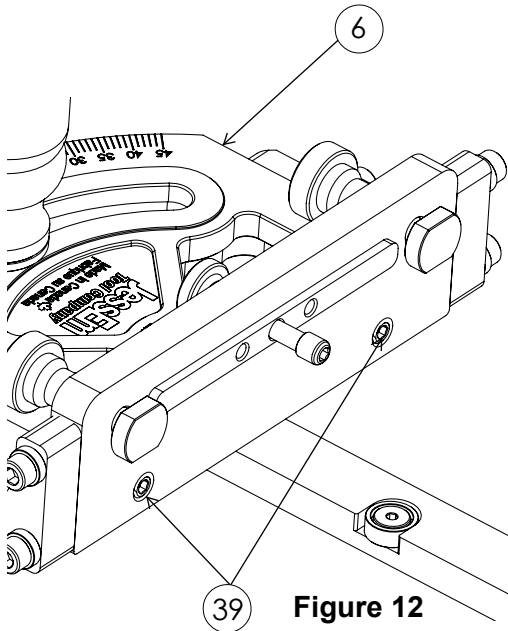


Figure 12

- d. Push the Fence Mount (Part #44) against the Gauge Body (Part #6) and retighten the (4) four #10-32 x 7/8" Socket Head Screw (Part #9.3 & 9.4), you loosened in step "c" as shown in **Figure 13**.

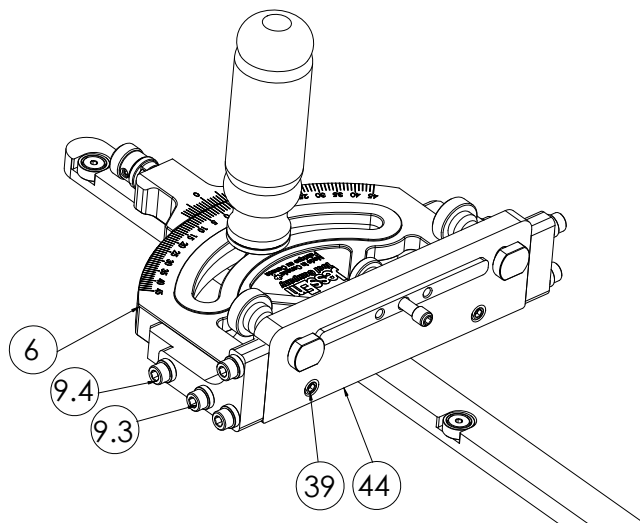


Figure 13

Vertically Squaring the Mite-R-Excel II™

- a. Slide your Fence Extrusion (Part #33) back onto the Mite-R-Excel II™ (See **Figure 14**) and tighten it in position using the Fence Knobs (Part # 45)

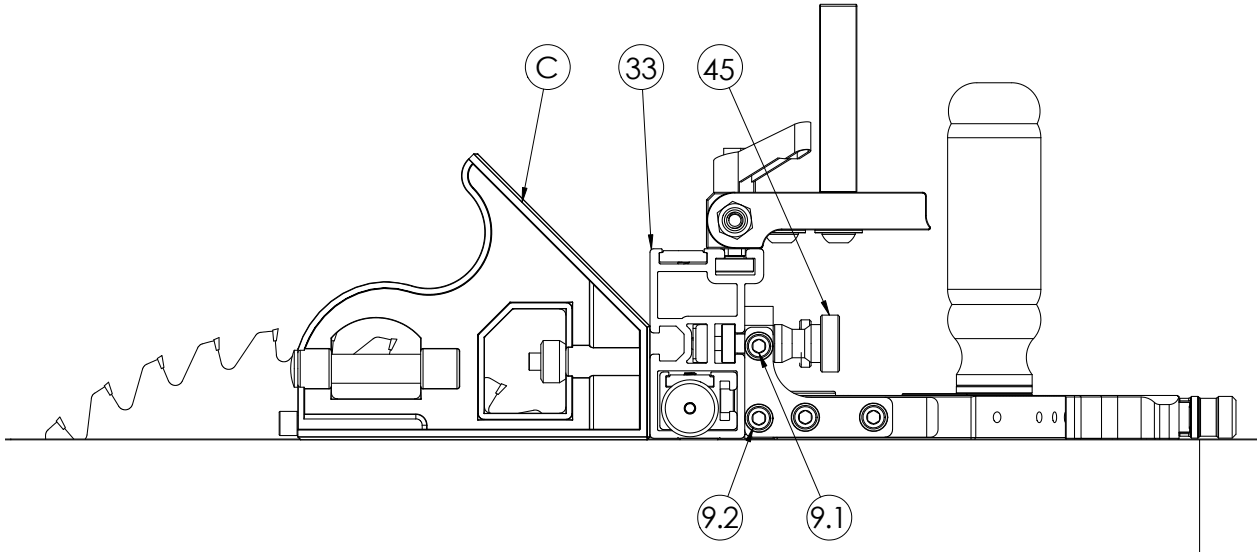


Figure 14

- b. Loosen off screws 9.1 & 9.2 on both sides of the fence using the 5/32" Hex Key (Part # 59) provided.
- c. Using a combination or machine square, position it up against the front face of the Fence Extrusion. To square the fence to the table, make sure the square is flush with the table and flush against the extrusion and the gauge is sitting flat on your table. Rotate the fence until you see no light between the square and the fence, re-tighten screws 9.1 & 9.2 on the left and right side of the gauge. (See **Figure 14**)

Squaring the Mite-R-Excel II™

- a. Loosen the Fence Knobs (Part #45) and disengage the Fence Locating Pin Knob (Part #40).
- b. Remove the Fence Extrusion (Part #33) from the Mite-R-Excel II™ and remove the Mite-R-Excel II™ from the table saw.

NOTE: Steps (b) thru (e) do not have to be done on the saw.

- c. Using a machine/combination square, align the base against the guide bar (Part #56) and the ruler/straight edge against the Fence Mount (Part # 44) See **Figure 15**.

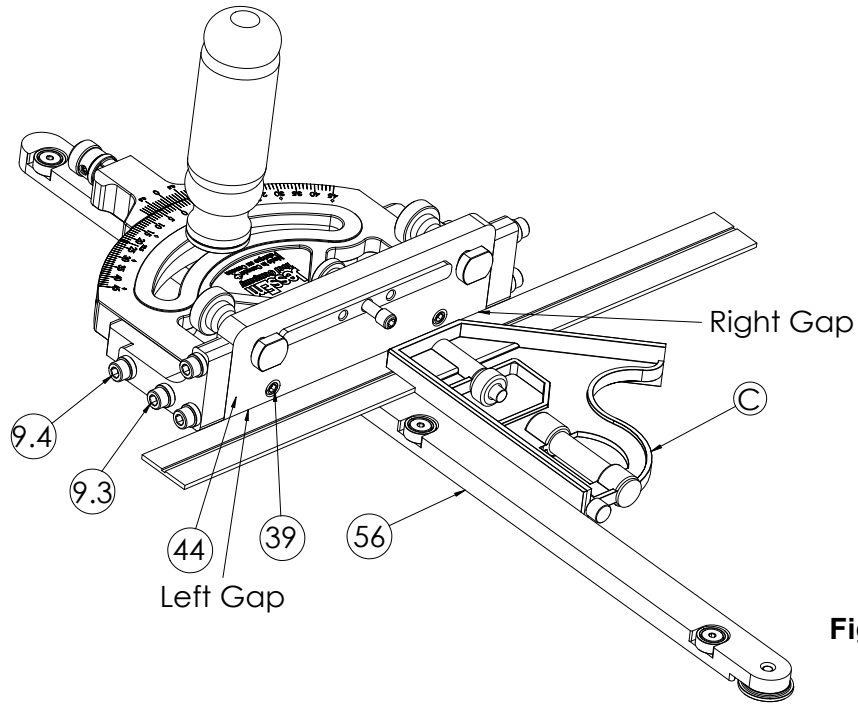


Figure 15

- d. Look at both the left and right side of the gauge. If there is any gap or light between the combination square blade and the Fence Mount on either the left or right side,(Part #44) follow steps **i) thru iii)** below.
- i) Loosen the 10-32 x 7/8" Socket Head Cap Screws (Part 9.3 and 9.4) on the side with gap.
 - ii) With 1/8" hex key provided, tighten the 1/4-28 x 5/16" Flat Point Set Screw (Part # 39) until the set screw presses against the gauge body between the blade and fence mount (Part #44) See **NOTE** below.



NOTE: Once the set screw engages with the gauge body, only turn the screw in small increments while checking to see if the gap has closed after each turn. You will not need to turn the set screw too many times before the gap is gone.

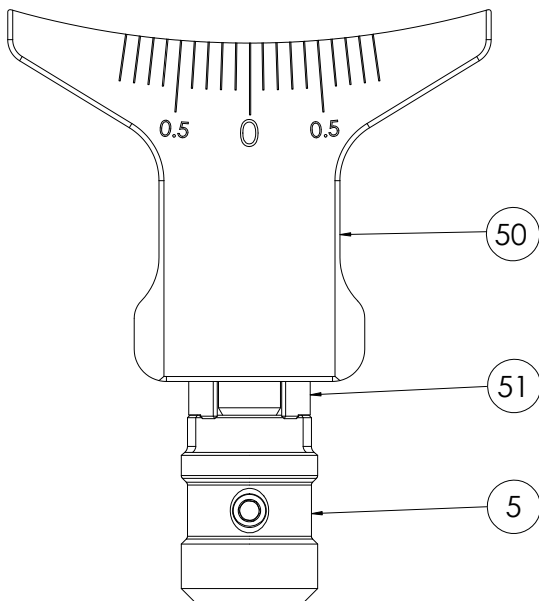
- iii) Once the gauge is flush and no light is seen on both sides of the fence mount, retighten the 10-32 x 7/8" Socket Head Cap Screws (Part 9.3 and 9.4)
- e. Re-attach the Fence Extrusion.
- f. Engage the Fence Locating Pin Knob (Part #40) and tighten the fence knobs (Part #45).



After making any adjustments to the Mite-R-Excel II™, ensure the fence is clear of the table saw blade and the clamping handle is tight before making any cuts.

Engaging and Disengaging the Indexing Pin Knob

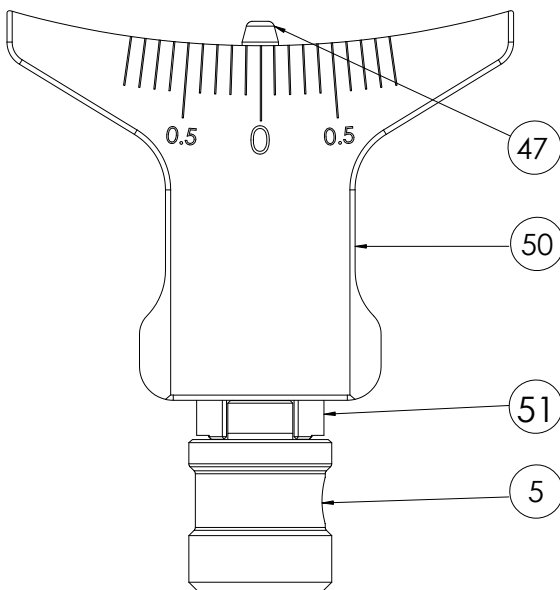
DISENGAGED INDEXING PIN KNOB



Disengaged indexing pin knob. (Pulled out and turned). Use in this position for adjusting increments and all non predetermined detent positions on the gauge.

Figure 16

ENGAGED INDEXING PIN KNOB



Use in this position when using predetermined detents of 0°, 15°, 22.5°, 30° and 45°

Figure 17

How to Adjust the Mite-R-Excel II™

The Mite-R-Excel II™ is machined with pre-determined detents in the gauge for 0°, 15°, 22.5°, 30°, and 45°. The pre-determined detents are laser marked with a diamond \diamond on the gauge.

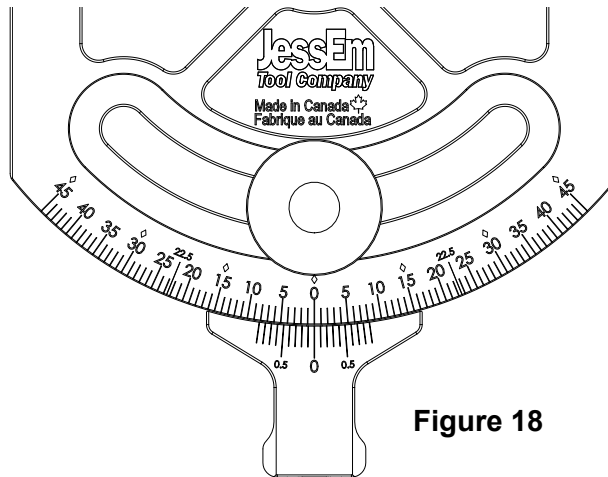


Figure 18

The example used below is setting the gauge to 45°. See **Figure 19**

- a. Loosen the Handle (Part #10).
- b. Pull the Indexing Pin Knob (Part #5) out and away from the gauge and turn it to disengage. This will now allow the gauge to rotate freely.
- c. Turn your gauge until the 45° lines up with the 0° and then rotate the indexing pin knob (Part #5), releasing the indexing pin knob back into the engaged position. Refer to **Figure 16** and **Figure 17** for engaged and disengaged positions. Once the indexing pin knob has locked into the 45 degree detent hole on the gauge, lock the Handle (Part #10). You will now be able to perform your 45 degree cuts.

Repeat the steps above to set the gauge into any of the pre-determined degrees on the gauge.

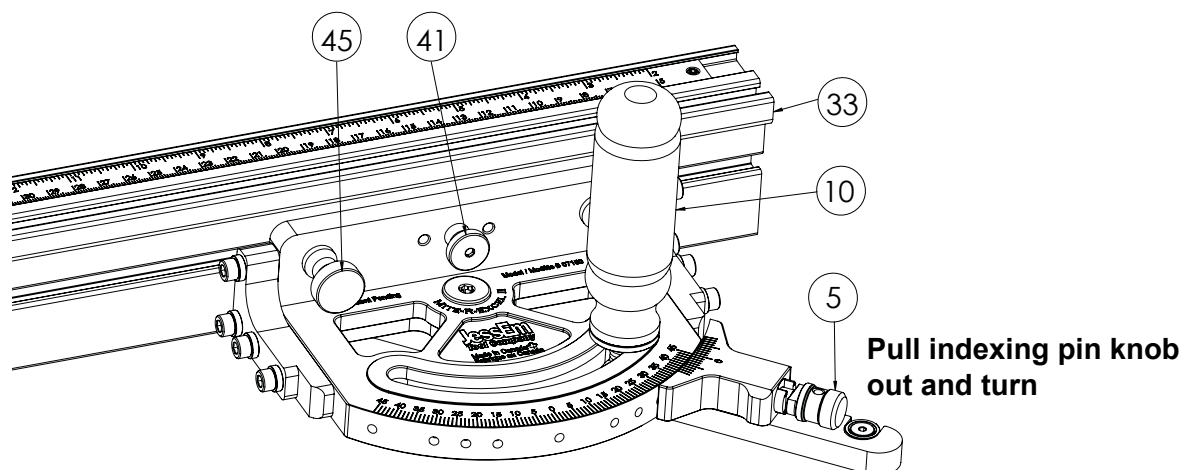


Figure 19

How to Adjust the Mite-R-Excel II™ to Non Predetermined Detents

The Mite-R-Excel II™ can be set to non-predetermined detents on both the left and right sides of 0°. When setting at non-predetermined settings only lock the Handle (Part #10), leaving the Indexing Pin Knob disengaged.

- a. Loosen the Handle (Part #10). See **Figure 19**
- b. Pull the Indexing Pin Knob (Part #5) out and away from the gauge and turn it to disengage. This will now allow the gauge to rotate freely. See **Figure 19**
- c. Turn your gauge to the desired setting.
- d. Lock the Handle (Part #10) and leave the Indexing Pin Knob disengaged. See **Figure 19**

Repeat the steps above to set the gauge into any of the pre-determined degrees on the gauge.

How to set the Mite-R-Excel II™ Extension Stop

- a. Loosen clamping handle (part #11)
- b. Slide fence extension (Part #26) out until the desired read on the fence extension scale bar (Part #27) is aligned with the end of the fence extrusion (Part #33) See **Figure 20**.
- c. Tighten clamping handle (Part #11) to lock the extension in place.

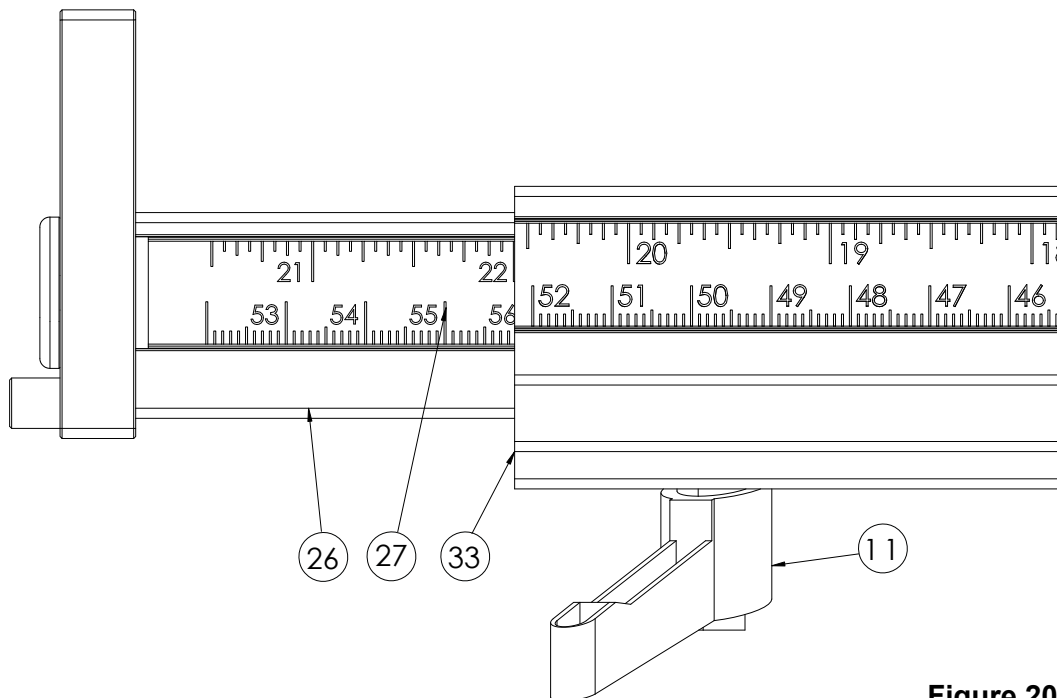


Figure 20

How to Set the Vernier Scale

The Mite-R-Excel II™ can be used not only with whole numbers, but is also designed to move 1/10th degrees on the lower Vernier Scale.

To use this Vernier Scale on the Mite-R-Excel II™ follow these directions.

- a. Loosen the Handle (Part #10)
- b. Pull out and lock the Indexing Pin Knob (Part #5) and rotate the gauge to the nearest whole number.
- c. Using the lower Vernier scale, set your gauge to the 1/10th degree desired.
- d. Once you have your setting, lock only the Handle only (part #10), leaving the Indexing Pin Knob (Part #5) in the disengaged position. See **Example 1**

Following are **two examples** of using the Vernier Scale on the Mite-R-Excel II™

Example 1: Setting Mite-R-Excel II™ at 35.4°

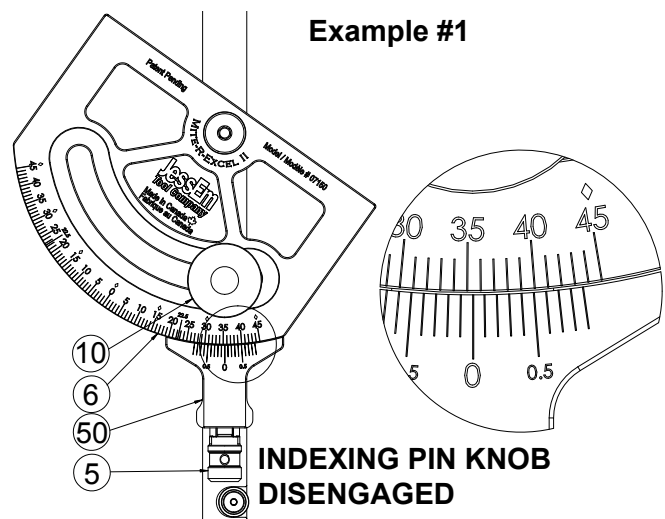
Example 2: Setting Mite-R-Excel II™ at 35.7°

Example 1:

Setting your gauge to 35.4° degrees (Vernier scale 1)

- a. Loosen the Handle (Part #10)
- b. Pull out and turn to disengage the Indexing Pin Knob (Part #5). See **Figure 16 and 17** to distinguish locked and unlocked positions of the Indexing Pin Knob
- c. Rotate the gauge to 35° degrees
- d. Using the lower Vernier Scale on the Indexing Block (Part #50), rotate the gauge counter clockwise until the desired 1/10th degree aligns with the nearest whole degree.

In this example the .4 mark on the lower Vernier Scale will line up with the “39” on the upper scale. Tighten the Handle (Part #10) and now the gauge is set to 35.4° degrees.

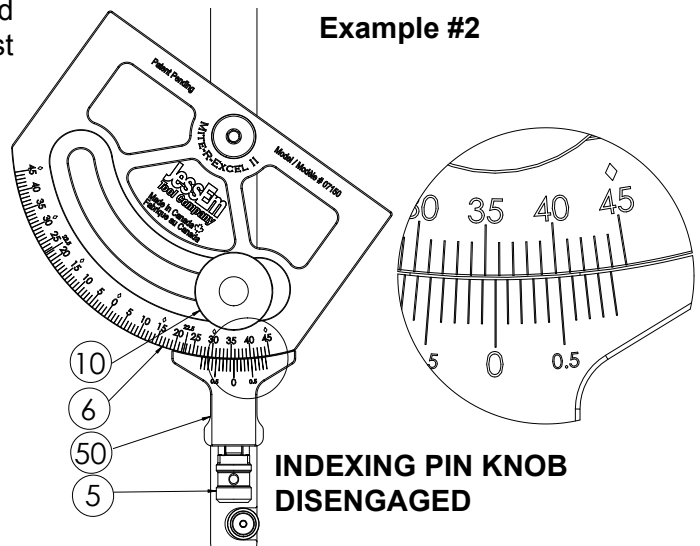


Example 2:

Setting your gauge to 35.7° degrees (Vernier Scale 2)

- Loosen the Handle (Part #10)
- Pull out and lock the Indexing Pin Knob (Part #5). See Figure 16 and 17 for locked and unlocked position of the Indexing Pin Knob.
- Rotate the gauge to 35° degrees
- Using the lower Vernier Scale on the Indexing Block (Part #50), rotate the gauge counter clockwise until the desired 1/10th degree aligns with the nearest whole degree.

In this example the .7 mark on the lower Vernier Scale will line up with the "42" on the upper scale. Tighten the Handle (Part #10) and now the gauge is set to 35.7° degrees. Remember to keep the Indexing Pin Knob in the disengaged position.



Mounting A Sacrificial Fence

Making a Sacrificial Fence

JessEm provides the hardware to mount a sacrificial fence.

- You will need a $\frac{3}{4}$ " thick piece of stock, cut down to 2-1/2" high and anywhere from 22 - 25" wide. (See **Figure 21**)
- Measure and mark the first hole 4" from the right side of the board and 1-1/4" from the bottom as shown in **Figure 21**.

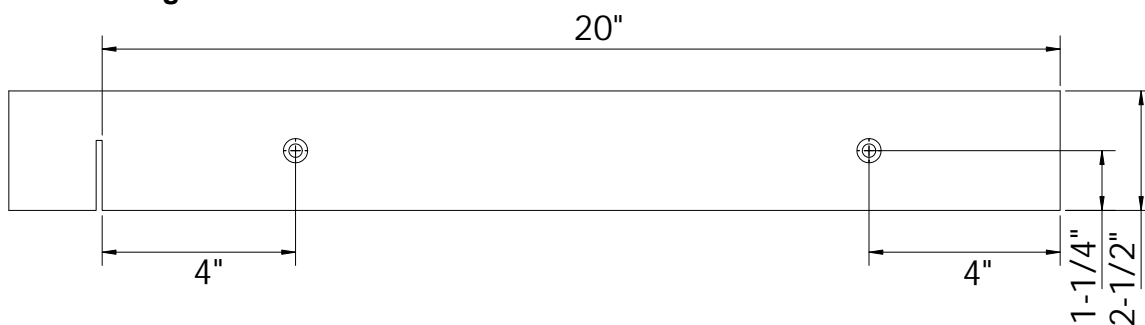


Figure 21

- c. Measure from the right side of the stock 20 inches to the opposite side. Mark the 20" spot with a faint line.
- d. Repeat step b. off the 20" mark.
- e. Using a 5/16 drill bit, drill the center mark of both locations and use a countersink to allow the (2) 1/4-20 x 1-1/8" Phillips Flat Head Screw (Part #58) to sit flush or below with the fence face.
- f. Using the (2) 1/4-20 square nuts (Part # 57) provided, attach the sacrificial fence (Part D) into the front T-Slot on the fence extrusion. See **Figure 22**



**** The Flip Stop on the Mite-R-Excel II™ was designed to adjust up to 3/4". Be sure to adjust the Flip Stop so that you can still use the stop with the sacrificial fence.**

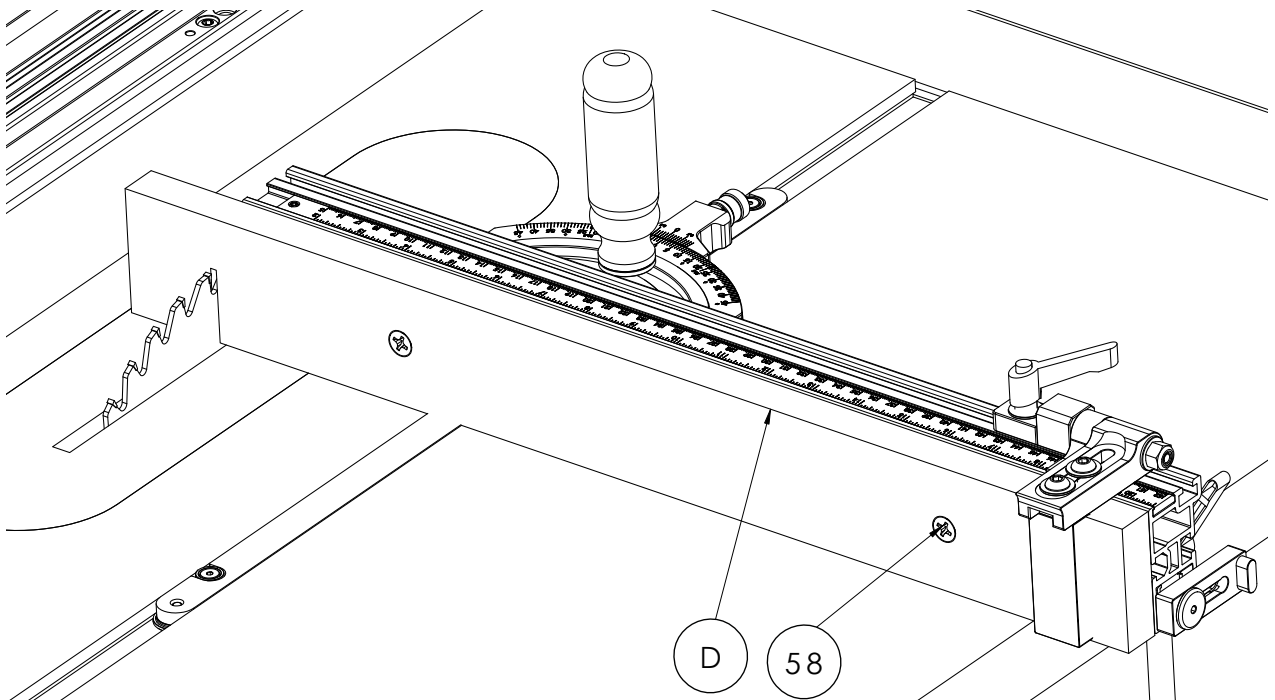
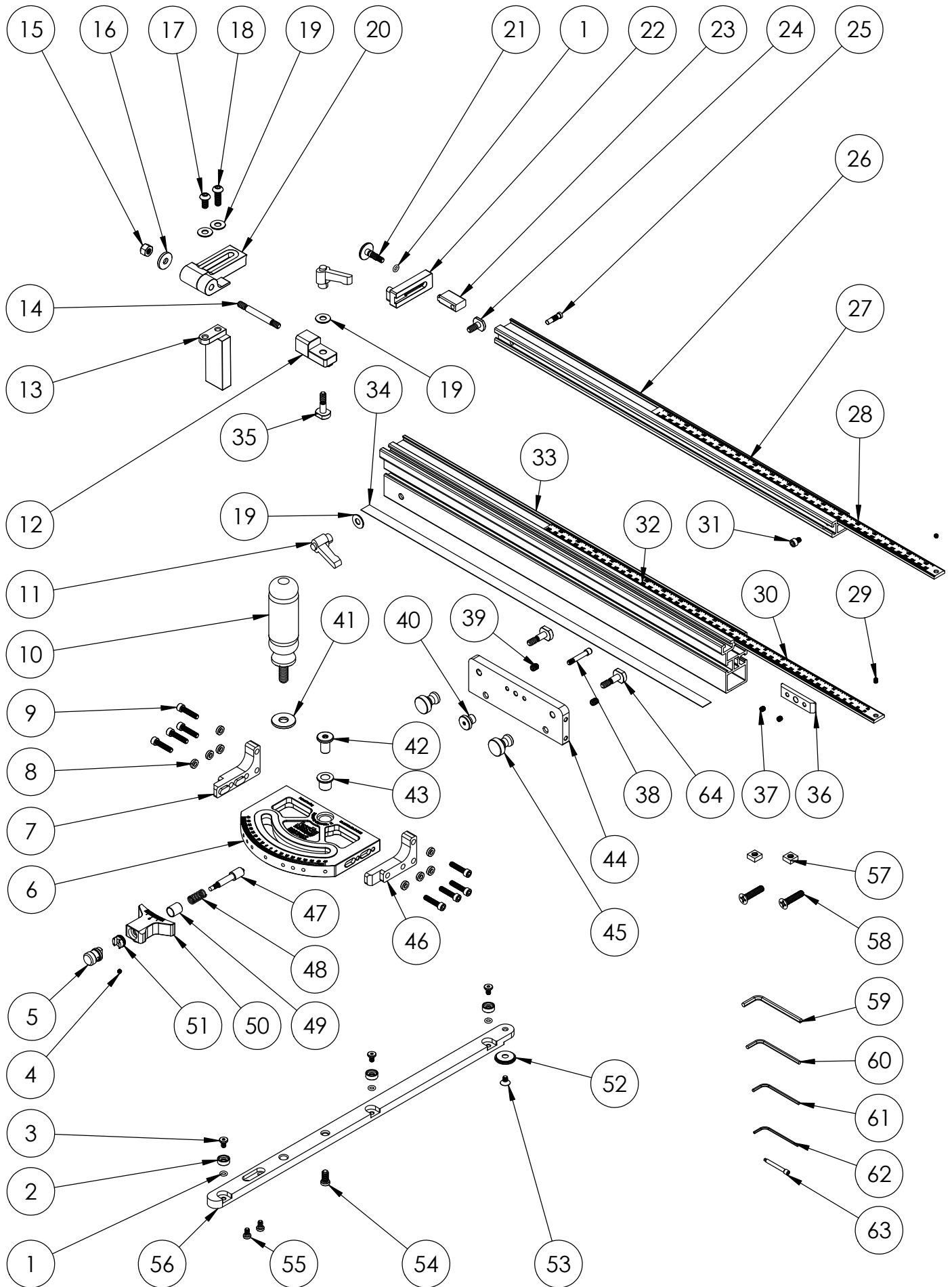


Figure 21

MITE-R-EXCEL II™ PARTS EXPLODED VIEW



MITE-R-EXCEL II™ PARTS LIST

Item No.	Part No.	Part Description	Qty
1	F0416	#008 Buna-N O-Ring	4
2	S0062-19	Guide Bar Snugger	3
3	S0065-7	Snugger Mounting Screw	3
4	F0411	#8-32 X 1/8" Cup Point Set Screw	1
5	S0061-13	Indexing Pin Knob	1
6	E0300-1	Gauge Body	1
7	E0296-2	LH Fence Mount Bracket	1
8	S0065-8	#10 Heavy Washer	8
9	F0407	#10-32 X 7/8" Socket Head Screw	8
10	E0205-8	Handle	1
11	M0381	Clamping Handle	2
12	E0092-3	Fence Stop Mount	1
13	E0297-1	Flip Stop Lower	1
14	S0075-1	Fence Stop Stud	1
15	F0415	1/4-20 Nylon-Insert Locknut	1
16	S0053-35	1/4" Washer	1
17	F0414	1/4-20 X 1/2" Button Head Cap Screw	1
18	F0413	1/4-20 X 3/4" Button Head Cap Screw	1
19	F0348	1/4" ID X 5/8" OD Washer	4
20	E0206-5	Flip Stop Upper	1
21	S0053-36	Extension Stop Screw	1
22	E0130-2	Fence Extension Stop	1
23	E0246-4	Fence Extension Insert	1
24	S0061-15	Fence Extension T-Bolt	1
25	S0075-2	Fence Extension Insert Locking Pin	1
26	E0294-1	Fence Extension	1
27	M0375	Fence Extension Scale	1
28	E0295-2	Fence Extension Scale Bar	1
29	F0355	#8-32 X 3/16" Flat Point Set Screw	2
30	E0295-1	Scale Bar	1
31	F0418	#10-32 X 1/4" Socket Head Cap Screw	1
32	M0376	Fence Extrusion Scale	1
33	E0293-1	Fence Extrusion	1
34	M0382	UHMW Wear Strip	1
35	S0061-15	Flip Stop T-Bolt (Short T-bolt)	1
36	E0274-2	Fence Locating Nut	1
37	F0417	#10-32 X 3/16" Flat Point Set Screw	2
38	S0061-13	Fence Locating Pin	1
39	F0394	1/4-28 X 5/16" Thread Locking Flat Point Set Screw	2
40	S0061-17	Fence Locating Pin Knob	1
41	S0054-7	3/8" ID X 1" OD Washer	1
42	S0061-16	Gauge Pivot	1
43	M0379	3/8" ID Oil-Embedded Flanged Sleeve Bearing	1
44	E0301-1	Fence Mount	1
45	S0053-33	Fence Knob	2
46	E0296-1	RH Fence Mount Bracket	1
47	S0065-9	Indexing Pin	1
48	M0377	Compression Spring	1
49	M0136	3/8" ID Oil Embedded Sleeve Bearing	1
50	E0070-2	Indexing Block	1
51	S0062-18	Indexing Pin Lock Bushing	1
52	S0064-10	Gauge Bar Retaining Washer	1
53	F0408	#10-32 X 5/16" Flat Head Screw	1
54	F0409	1/4-20 X 1/2" Low Head Cap Screw	1
55	S0076-1	#10-32 X 5/16" Low Head Cap Screw	2
56	S0066-1	Guide Bar	1
57	F0028	1/4-20 Square Nut	2
58	F0430	1/4-20 X 1-1/8" Phillips Flat Head Screw	2
59	M0027	5/32" Hex Key	1
60	M0045	1/8" Hex Key	1
61	F0500	3/32" Hex Key	1
62	F0429	5/64" Hex Key	1
63	S0079-1	Allen Key Extension	1
64	S0061-18	Fence Clamping T-Bolt (Long T-Bolt)	2

JESSEM TOOL LIMITED WARRANTY

All JessEm products are warranted to be free from defects in material and workmanship. JessEm will repair or replace any product which upon inspection proves to be defective for a period of (1) year from dated receipt and proof of purchase. All warranty claims should be made direct to JessEm Tool Company. Contact JessEm for a warranty claim return authorization and instructions to proceed. The consumer is responsible for shipping costs to return product to JessEm Tool Company. We will repair or replace the product at our discretion and JessEm Tool will return shipment to you at no charge.

Warranty Limitations

This warranty does not cover:

- Repairs or alterations made or attempted by anyone other than JessEm Tool Company or an authorized JessEm service professional.
- Normal wear and tear.
- Abuse, misuse or neglect.
- Improper care or maintenance.
- Continued use after partial failure.
- Products that have been modified in any way.
- Products used with improper accessories.

Find Out More About Our High
Performance Tools At

www.jessem.com

JesseEm
Tool Company

Tools That Make A Difference!

FOLLOW US ON:

