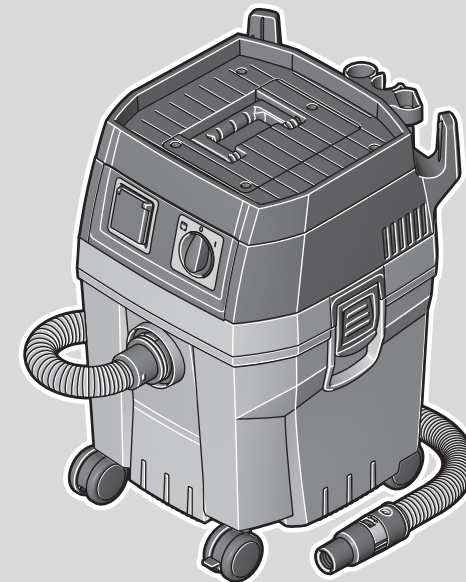




- ▶ Turbo I 9 20 35
- ▶ Turbo II/Turbo II S2106 9 20 36



© C. & E. Fein GmbH. Printed in Romania. Abbildungen unverbindlich. Technische Änderungen vorbehalten. 3 41 01 211 21 0 BY 2019,09 DE.

USA

FEIN Power Tools, Inc.
1000 Omega Drive
Suite 1180
Pittsburgh, PA 15205
Phone: 800-441-9878
www.feinus.com

Canada

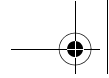
FEIN Canadian Power Tool
Company
323 Traders Boulevard East
Mississauga, Ontario L4Z 2E5
Telephone: (905) 8901390
Phone: 1-800-265-2581
www.fein.com




Headquarter

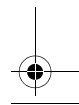
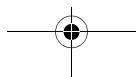
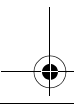
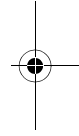
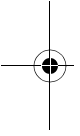
C. & E. Fein GmbH
Hans-Fein-Straße 81
D-73529 Schwäbisch Gmünd-Bargau
www.fein.com

FEIN Service

FEIN Power Tools, Inc.
2735 Hickory Grove Road
Davenport, IA 52804
Phone: 800-441-9878
magdrillrepair@feinus.com



en	Instruction Manual	 3
fr	Mode d'emploi	 20
es	Instrucciones de uso	 39



IMPORTANT SAFETY INSTRUCTIONS.

READ ALL INSTRUCTIONS BEFORE USING THIS MACHINE.

Inform your dealer immediately if there is any shipping damage.

Completely remove the accessories from the box.

The suction unit is not suitable for sucking up hazardous dusts as asbestos. Please consult your FEIN branch or your FEIN dealer with regard to such applications.

Only operate the vacuum from a grounded outlet. Refer to the Technical data for the necessary main fuse.

Connect to a properly grounded outlet only - see Grounding instructions.

When using an electrical machine, basic precautions should always be followed, including the following: This vacuum is intended for commercial use.

DISCONNECT VACUUM CLEANER FROM POWER CIRCUIT before removing the cover, performing maintenance work, and when not in use.

DO NOT LEAVE the machine unattended when plugged in.

ALWAYS CHECK THE POWER SUPPLY CORD for damage or signs of any aging before each use.

DO NOT PULL OR CARRY VACUUM CLEANER BY CORD. Do not close door on cord or pull cord around sharp edges.

KEEP CORD AWAY FROM HEAT AND OIL. Do not leave cord lying around after job is complete. It can become a tripping hazard.

DO NOT RUN VACUUM OVER CORD.

TURN SWITCH TO OFF before unplugging power supply cord.

DO NOT UNPLUG BY PULLING CORD. To unplug, grasp plug, not cord.

DO NOT GRASP PLUG or appliance **WITH WET HANDS.**

A DAMAGED CORD OR PLUG should only be replaced by an authorized service center representative. **DO NOT ATTEMPT TO REPAIR POWER CORD.**

TO AVOID SHOCK, do not expose to rain. Store indoors.

USE ONLY AS RECOMMENDED BY THIS MANUAL. Use only with recommended attachments.

KEEP HAIR, CLOTHING, LOOSE JEWELRY, FINGERS and all parts of the body away from openings and moving parts.

DO NOT BLOCK OR OBSTRUCT OPENINGS. Keep openings free of lint, hair, dust, and anything that restricts air flow.

DO NOT PICK UP ANYTHING THAT IS BURNING, smoldering, or smoking such as matches, cigarettes, or hot ashes.

DO NOT USE TO VACUUM COMBUSTIBLE EXPLOSIVE MATERIALS, such as coal, grain, and other finely divided combustible material.

DO NOT USE TO VACUUM COMBUSTIBLE, hazardous, toxic, or carcinogenic materials, including gasoline, diesel fuel, acetone, paint thinner, heating oils, undiluted acids and solvents, pesticide, and asbestos.

USE RECOMMENDED FILTERS when vacuuming drywall materials.

DO NOT USE WITHOUT FILTER and/ or dust bag in proper place.

CONNECT VACUUM CLEANER WITH PROPERLY GROUNDED OUTLET ONLY. See Grounding instructions.

DO NOT ALLOW VACUUM CLEANER TO BE USED AS A TOY. Keep children away from Vacuum Cleaner.

DO NOT LEAVE UNATTENDED while Vacuum Cleaner is running.

DO NOT USE IF CORD, PLUG, FILTER, OR VACUUM CLEANER IS IN POOR CONDITION. If the Vacuum Cleaner has been dropped, damaged, exposed to weather, or dropped into water; have it checked by an authorized service.

ALWAYS USE EYE PROTECTION when operating Vacuum Cleaner.

USE EXTRA CAUTION when operating on stairs.

STAY ALERT! Do not use Vacuum Cleaner when you are tired or under the influence of drugs, alcohol or medication.

SAVE THESE INSTRUCTIONS.

THIS VACUUM IS INTENDED FOR COMMERCIAL USE.

SAFETY INSTRUCTIONS GROUNDING INSTRUCTIONS

This appliance must be grounded. If it should malfunction or break down, grounding provides a path of least resistance for electric current to reduce the risk of electric shock.

This appliance is equipped with a cord having an equipment grounding conductor and ground plug.

The plug must be inserted into an appropriate outlet that is properly installed and grounded in accordance with all local codes and ordinances.

WARNING:

Improper connection of the equipment-grounding conductor can result in a risk of electric shock.

Check with a qualified electrician or service person if you are in doubt as to whether the outlet is properly grounded.

Do not modify the plug provided with the appliance.

If it will not fit the outlet, have a proper outlet installed by a qualified electrician.

This appliance is for use on a nominal 120-volt circuit, and has a grounded plug that looks like the plug illustrated in Fig. A.

A temporary adapter that looks like the adapter illustrated in Fig. B, may be used to connect this plug to a two-pole receptacle as shown in Fig. B, if a properly grounded outlet is not available.

The temporary adapter should be used only until a properly grounded outlet (Fig. A) is installed by a qualified electrician.

The green colored rigid ear, lug, or the like extending from the adapter must be connected to a permanent ground such as a properly grounded outlet box cover.

Whenever the adapter is used, it must be held in place by a metal screw.

IN ALL CASES, MAKE SURE THE RECEPTACLE IN QUESTION IS PROPERLY GROUNDED.

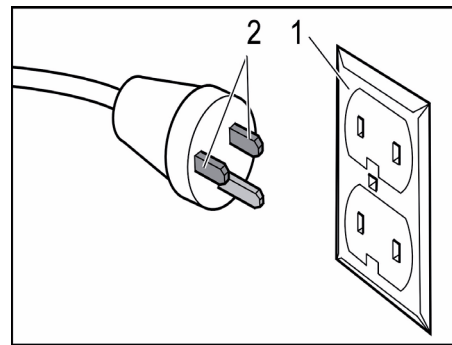
NEVER REMOVE GROUNDING PRONG FROM POWER PLUG.

EXTENSION CORDS

Use only three-wire extension cords that have three-prong grounding-type plugs and three-pole receptacle that accepts the appliance's plug. Replace damaged or worn cord immediately.

DO NOT ATTEMPT TO REPAIR POWER CORD.

Figure A

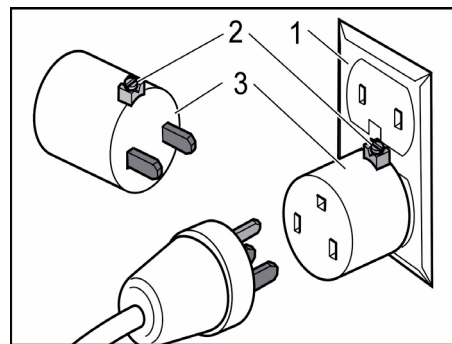


1 Grounded outlet box

2 Current carrying prongs

Grounding prong is longest of the 3 prongs

Figure B



1 Grounded outlet box


2 Grounding means

3 Adapter

Note: In Canada, the use of a temporary adapter is not permitted by the Canadian Electrical Code.

For your safety.

⚠ WARNING **Read all safety warnings and all instructions.** Failure to follow the warnings and instructions may result in electric shock, fire and/or serious injury. **Save all warnings and instructions for future-reference.**

 Do not use this vacuum cleaner before you have thoroughly read and completely understood these operating instructions, including the figures, specifications, safety regulations and the signs indicating DANGER, WARNING and CAUTION.

Only carry out such operations with this vacuum cleaner as intended for by FEIN. Only use application tools and accessories that have been released by FEIN.

Please also observe the relevant national industrial safety regulations.

Non-observance of the safety instructions in the said documentation can lead to an electric shock, burns and/or severe injuries.

This Instruction Manual should be kept for later use and enclosed with the power tool, should it be passed on or sold.

SAVE THESE INSTRUCTIONS.

General Power Tool Safety Warnings.

1) Workplace

- a) **Keep work area clean and tidy.** Cluttered or dark work areas invite accidents.
- b) **Do not operate the power tool in explosive atmospheres, such as in the presence of flammable liquids, gases or dusts.** Power tools create sparks which can ignite the dust or fumes.
- c) **Keep children and bystanders away while operating the vacuum cleaner.** Distractions can cause you to lose control over the device.

2) Electrical safety

- a) **The mains plug of the device must match the socket outlet. Never modify the plug in any way. Do not use adapter plugs with protective grounded devices.** Unmodified plugs and matching outlets will reduce the risk of electric shock.
- b) **Avoid body contact with grounded surfaces, such as from pipes, heaters, stoves/ranges and refrigerators.** There is an increased risk of electric shock when your body has contact to grounded surfaces.
- c) **Keep the device away from rain or moisture.** The penetration of water into an electrical device increases the risk of an electric shock.

d) **Do not misuse the cord to carry the device, hang it up, or for pulling the plug out of the outlet. Keep the cord away from heat, oil, sharp edges or moving parts.** Damaged or entangled cords increase the risk of electric shock.

e) **When operating the vacuum cleaner outdoors, only use extension cords suitable for outdoor use.** Use of a cord suitable for outdoor use reduces the risk of electric shock.

f) **When operating the vacuum cleaner in damp environments is unavoidable, use a ground-fault circuit interrupter.** The use of a ground-fault circuit interrupter reduces the risk of electric shock.

3) Personal safety

- a) **Stay alert, watch what you are doing, and use common sense when operating a vacuum cleaner. Do not use the device while tired or under the influence of drugs, alcohol, or medication.** A moment of inattention while operating the device may result in personal injury.
- b) **Prevent unintentional starting. Make sure that the switch is in the "OFF" position before plugging the plug into the socket outlet.** When your finger is on the switch while carrying the device or when connecting the device to the power supply while it is switched on, accidents can occur.

- c) **Do not overreach. Keep proper footing and balance at all times.** This enables better control of the device in unexpected situations.
- 4) **Vacuum cleaner use and care**
- a) **Do not overload the vacuum cleaner. Use the vacuum cleaner intended for your work.** The correct vacuum cleaner will do the job better and safer at the rate for which it is designed.
- b) **Do not use a vacuum cleaner that has a defective switch.** A vacuum cleaner that cannot be controlled with the switch is dangerous and must be repaired.
- c) **Before carrying out adjustments on the vacuum cleaner, replacing accessories or placing down the vacuum cleaner, pull the plug from the socket outlet.** This safety measure prevents accidental starting of the device.
- d) **Store idle vacuum cleaners out of the reach of children. Do not allow persons unfamiliar with the vacuum cleaner or these instructions to operate the vacuum cleaner.** Vacuum cleaners are dangerous in the hands of untrained users.
- e) **Maintain the vacuum cleaner with care. Check for misalignment or binding of moving parts, breakage of parts and any other condition that may affect the vacuum cleaner's operation. Have damaged parts repaired before using the vacuum cleaner.** Many accidents are caused by poorly maintained vacuum cleaners.
- f) **Use the vacuum cleaner, accessories, etc. according to these instructions and as specified for this specific type of device. Take into consideration the working conditions and the activities to be carried out.** Use of vacuum cleaners for operations different from those intended could result in hazardous situations.
- 5) **Service**
- a) **Have your vacuum cleaner repaired only through a qualified repair person and only using original replacement parts.** This will ensure that the safety of the vacuum cleaner is maintained.

Special safety instructions.

Wear personal protective equipment. Depending on application, use a face shield, safety goggles or safety glasses. As appropriate, wear dust mask, hearing protectors, gloves and workshop apron capable of stopping small abrasive or work piece fragments. The eye protection must be capable of stopping flying debris generated by various operations. The dust mask or respirator must be capable of filtering particles generated by your operation. Prolonged exposure to high intensity noise may cause hearing loss.

Operate the vacuum cleaner only from grounding outlets that are according to regulations. Only use undamaged supply cords and regularly checked extension cords with ground contact. A protective conductor without continuity can lead to electric shock.

The grounded connection socket discharges static charges. In connection with electrostatically discharging accessories (optional), this prevents the formation of sparks and current surges.

This vacuum cleaner is not intended to be used by persons (including children) with limited physical, sensory or mental capabilities, or lack of experience and/or knowledge, except if being supervised by a person responsible for their safety or having received instructions from this person on how to operate the vacuum cleaner.

Supervise children. This will ensure that children do not play with the vacuum cleaner.

When wet vacuuming, operate the vacuum cleaner only when the container is level. Otherwise there is danger of electric shock from water penetrating into the vacuum cleaner's motor.

Do not misuse the power supply cord to pull the vacuum cleaner around or pull the mains plug from the socket outlet. Keep the power supply cord away from heat, oil, sharp edges, or rotating parts. Do not drive over or pinch the power supply cord. Damaged or entangled power supply cords increase the risk of an electric shock.

Before replacing accessories, pull the mains plug from the socket outlet. This safety measure reduces the risk of electric shock.

Do not vacuum materials that are hazardous to one's health, e. g., dust from beech or oak wood, masonry dust, asbestos. These materials are considered carcinogenic.

Provide for good ventilation of the workplace.

Do not vacuum inflammable or explosive liquids; for example, gasoline, oil, alcohol, solvents. Do not vacuum hot or inflammable dusts. Do not operate the machine in rooms where the danger of an explosion exists. The dusts, vapors or liquids can ignite or explode.

Do not rivet or screw any name-plates or signs to the vacuum cleaner. If the insulation is damaged, protection against an electric shock will be ineffective. Adhesive labels are recommended.

Do not use accessories not specifically intended or recommended for this vacuum cleaner by FEIN. Just because the accessory can be attached to your vacuum cleaner, it does not assure safe operation.

Before putting into operation, check the power connection and the power plug for damage.

⚠ WARNING Use the vacuum cleaner's socket outlet only for the purposes specified in of the operating instructions. Please also observe the operating instructions and safety warnings of the power tool being connected to the socket outlet of the vacuum cleaner.

Recommendation: Always operate the power tool via a ground-fault circuit interrupter with a rated residual current of 30 mA or less.

The vacuum cleaner may only be stored indoors.

Emission values for noise and vibrations

(Dual-number values according to IEC 60335-2-69)


Sound emission

A-weighted emission pressure power level measured at the workplace L_{pA} (re 20 μPa), in decibels

Measuring uncertainty K_{pA} , in decibels

	Turbo I	Turbo II/ Turbo II S2106
A-weighted emission pressure power level measured at the workplace L_{pA} (re 20 μPa), in decibels	67	67
Measuring uncertainty K_{pA} , in decibels	2	2

REMARK: The sum of the measured emission value and respective measuring inaccuracy represents the upper limit of the values that can occur during measuring.

 Wear hearing protection!

Measured values determined in accordance with the corresponding product standard.

Extension cable.

⚠ WARNING If the use of an extension cable is required, its length and conductor cross-section must be adequate for the applicational case, in order to prevent a voltage drop in the extension cable, power loss and overheating of the vacuum cleaner. Otherwise, the extension cable and vacuum cleaner are liable to electrical danger, and the working efficiency will be impaired.

Recommended dimensions of extension cords at an operating voltage of 120 V – single-phase a. c., with only Turbo I, Turbo II, Turbo II S2106 connected:

Max. cable length, ft			Max. cable length, m		
≤ 100	100 –200	200 –300	≤ 30	30 – 60	60 –100
Min. conductor size A.W.G.			Min. conductor cross-section, mm ²		
16	14	12	1.5	2.5	4

Intended use of the vacuum cleaner:

Wet/dry vacuum cleaner for vacuuming and extraction of dry, non-hazardous dusts and dusts of dust category L, minor dust particles, particularly when carrying out dust-forming work with a power tool, and non-combustible liquids, in weather-protected environments using the application tools and accessories recommended by FEIN.



⚠ WARNING

The vacuum cleaner contains dust hazardous to one's health. Have the emptying and maintenance, incl. the disposal of dust-collection containers, carried out only by specialists. Appropriate protective equipment is required. Do not operate the vacuum cleaner without the complete filter system. Otherwise there is danger to your own health.













Operation of the power tool off power generators.

This vacuum cleaner is also suitable for use with AC generators with sufficient power output that correspond to the Standard ISO 8528, design type G2. This Standard is particularly not complied with when the so-called distortion factor exceeds 10 %. When in doubt, please refer to the generator instruction/specification guide.

⚠ WARNING Operating the vacuum cleaner off power generators whose no-load voltage exceeds the voltage value on the type plate of the power tool is prohibited.

Symbols.

Symbol, character	Explanation
	Make sure to read the enclosed documents such as the Instruction Manual and the General Safety Instructions.
	Before commencing this working step, pull the power plug out of the socket. Otherwise there will be danger of injury if the power tool should start unintentionally.
	Observe the instructions in the text or graphic opposite!
	Observe the instructions in the text or graphic opposite!

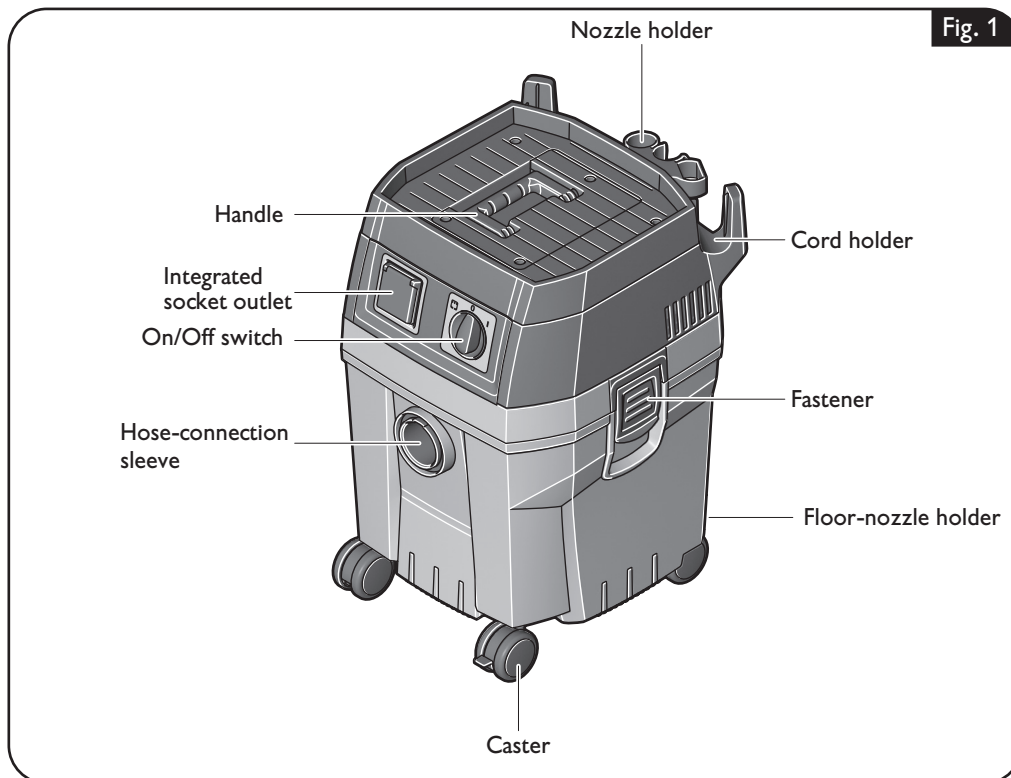
Symbol, character	Explanation
	Use eye protection during operation.
	Use ear protection during operation.
	Switching on
	Switching off
	This symbol confirms the certification of this product for the USA and Canada.
	General prohibition sign. This action is prohibited.
	This sign warns of a directly imminent, dangerous situation. A false reaction can cause a severe or fatal injury.
	This sign indicates a possible dangerous situation that could cause severe or fatal injury.
	This sign warns of a possible dangerous situation that could cause injury.
	Worn out power tools and other electrotechnical and electrical products should be sorted separately for environmentally-friendly recycling.
	Product with basic insulation and exposed, conductive parts additionally connected to the ground conductor.
~ or a. c.	Alternating current
1 ~	Alternating current, single-phase
IPX4	Protection class
	Electrostatically conductive

Character	Unit of measurement, national	Explanation
n_0	rpm; /min; min^{-1} ; r/min	Rated speed
P	W	Electrical power
P_{Max}	W	Power input, max.
	°	Angle width
U	V	Electric voltage
f	Hz	Frequency
I	A	Electric current intensity
m	lbs	Mass
l	ft, in	Length, width, height, depth, diameter or thread
\varnothing	ft, in	Diameter of a round part
$K...$		Uncertainty
a	m/s^2	Vibrational emission value according to EN 60745 (vector sum of three directions)
	m, s, kg, A, mm, V, W, Hz, N, °C, dB, min, m/s^2	Basic and derived units of measurement from the international system of units SI .

Technical description and specifications.

⚠ WARNING Before mounting or replacing accessories, pull the mains plug. This preventive safety measure rules out the danger of injuries through accidental starting of the vacuum cleaner.

The delivery scope of your vacuum cleaner may include only a part of the accessories described or shown in this instruction manual.



Type	Turbo I	Turbo II/ Turbo II S2106
Order number	9 20 35	9 20 36
Current consumption	9 A	9 A
Max. connected current of the integrated socket outlet	1 – 6 A	1 – 6 A
Container capacity	5.8 gal 22 l	8.4 gal 32 l
Filling capacity for liquids	3.4 gal 13 l	6.9 gal 26 l
Flow rate with 4 m hose	72 cfm 34 l/s	72 cfm 34 l/s
Flow rate at blower	151 cfm 71 l/s	151 cfm 71 l/s
Vacuum	24.5 kPa	24.5 kPa
Length x Width x Height	440 mm x 380 mm x 471 mm	440 mm x 380 mm x 569 mm
Weight according to EPTA-Procedure 01	17.8 lbs (8.1 kg)	20.1 lbs (9.1 kg)
Class of protection	⊕/I	⊕/I

Changing the tool.

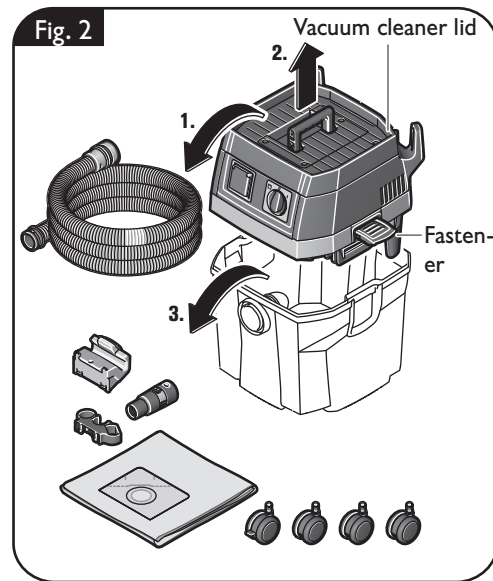
⚠ WARNING Before mounting or replacing accessories, pull the mains plug. This preventive safety measure rules out the danger of injuries through accidental starting of the vacuum cleaner.

Removing accessories (figure 2).

Upon delivery, all accessories are inside the vacuum cleaner.

Open the fasteners on both sides and take off the vacuum cleaner lid.

Remove the accessories from inside the vacuum cleaner (the figure aside is symbolic).



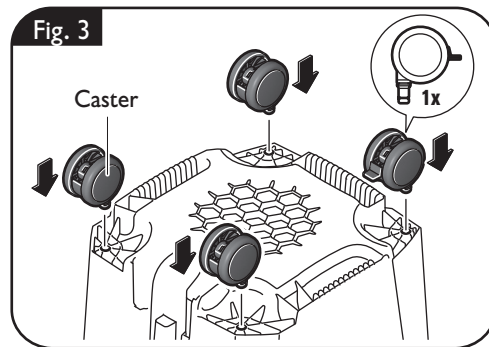
Assembly instructions.

⚠ WARNING Before mounting or replacing accessories, pull the mains plug. This preventive safety measure rules out the danger of injuries through accidental starting of the vacuum cleaner.

Mount accessories applying only slight pressure. For disassembling, turn the parts somewhat against each other and pull apart.

Mounting the casters (figure 3).

Mount the casters.



Inserting the fleece filter bag (figure 4).

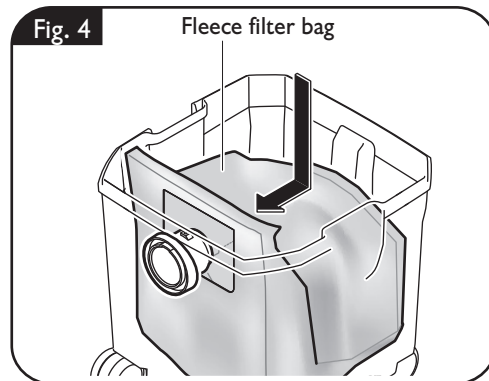
Open the fasteners on both sides and take off the vacuum cleaner lid.

Grasp the new fleece filter bag by the cardboard flange, first at the bottom then at the top, and slide it over the cog.

When inserting a fleece filter bag, take care that the cardboard flange and the fleece filter bag face completely against the inside wall of the container.

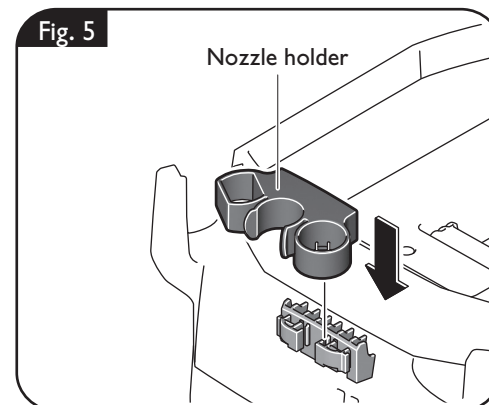
Mount the vacuum cleaner lid again and close the fasteners.

After removing the fleece filter bag, seal it with the closing cover in order to avoid debris.



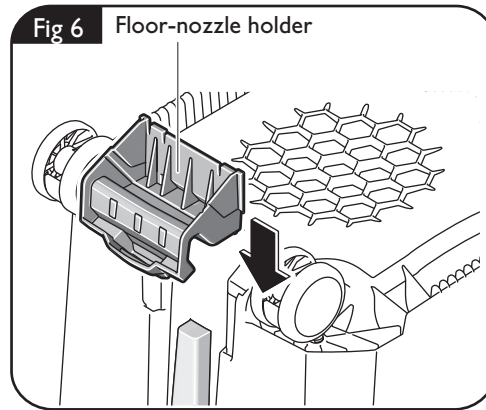
Mounting the nozzle holder (figure 5).

Mount the nozzle holder.



Mounting the floor-nozzle holder (figure 6).

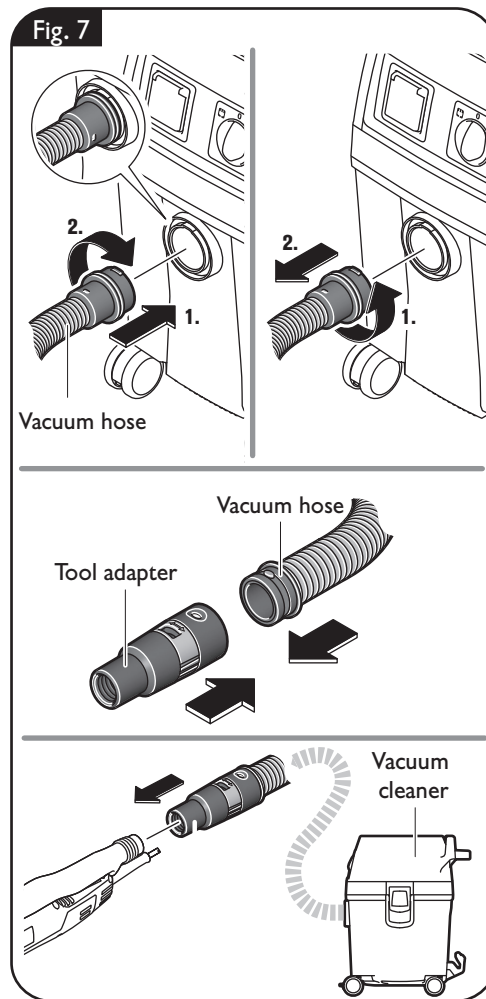
Mount the floor-nozzle holder.



Connecting the vacuum hose (figure 7).

Insert the vacuum hose to the stop in the hose connection socket. Lock the fastener with a light turn.

Mount the tool adapter to the vacuum hose and the desired power tool.



Mounting and cleaning the flat-fold filter (figure 8).

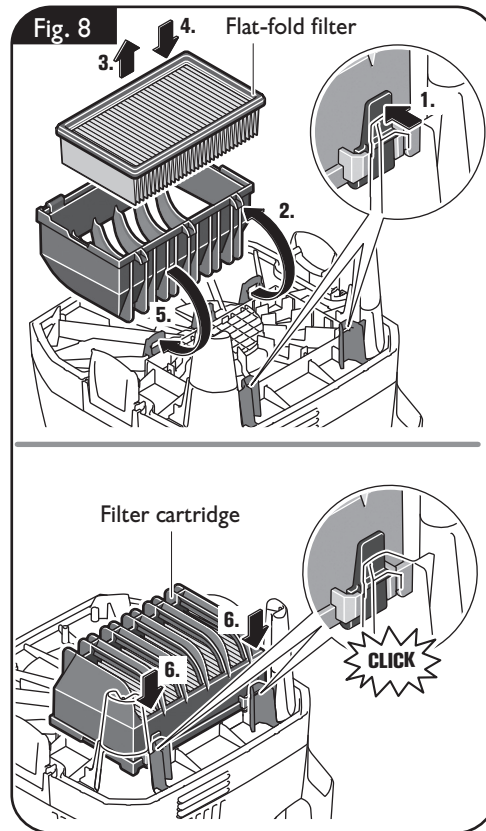
⚠ Before switching from wet to dry vacuuming, allow the wet flat-fold filter to dry or replace with a dry flat-fold filter. Otherwise, the flat-fold filter will become unusable.

Keep the flat-fold filter dry and clean it regularly.

For removal, press the lock inward and remove the filter cartridge as well as the flat-fold filter.

After removing the flat-fold filter, clean the flat-fold filter regularly by firmly tapping it against the floor.

Insert the cleaned (or a new) flat-fold filter into the filter cartridge and mount the cartridge into the bracket lugs as well as to the locking fixture.



Working instructions.

⚠ WARNING Before mounting or replacing accessories, pull the mains plug. This preventive safety measure rules out the danger of injuries through accidental starting of the vacuum cleaner.

Switching on and off (figure 9).

⚠ WARNING Check the power supply cable and the plug for damage.

Switching on:

Set the On/Off switch to (I).

Switching off:

Set the On/Off switch to (0).

Switching on and off with a power tool connected:

Switch the vacuum cleaner off before connecting a power tool to the vacuum cleaner's socket outlet. Make sure that the power tool is switched off when inserting its plug into the vacuum cleaner's socket outlet.

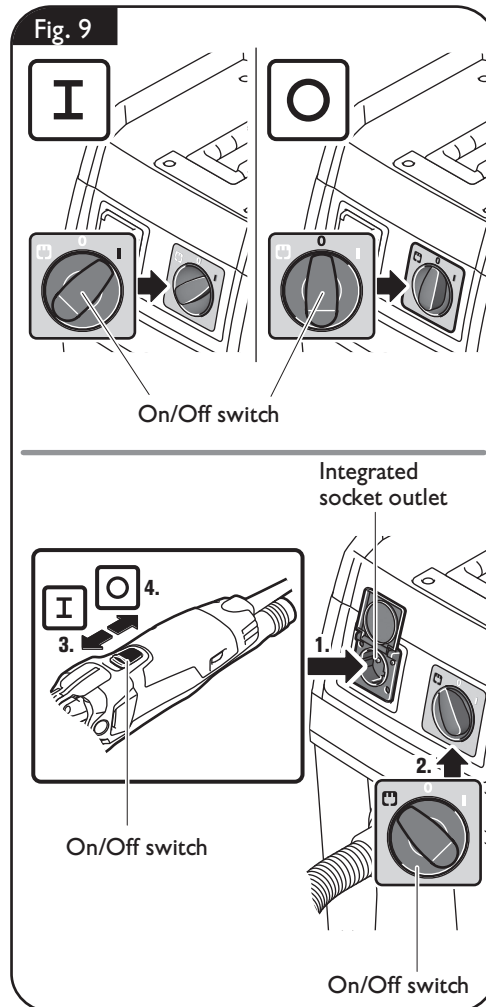
The vacuum cleaner is automatically switched on and off via the power tool connected to the integrated socket outlet.

Plug the mains plug of the power tool into the integrated socket outlet.

Set the on/off switch of the VAC to the mains plug symbol.

Switch the power tool on/off – the vacuum cleaner automatically starts/stops.

After switching off a power tool connected to the vacuum cleaner's socket outlet, the vacuum cleaner will run on for approx. 15 seconds and then automatically switch off.

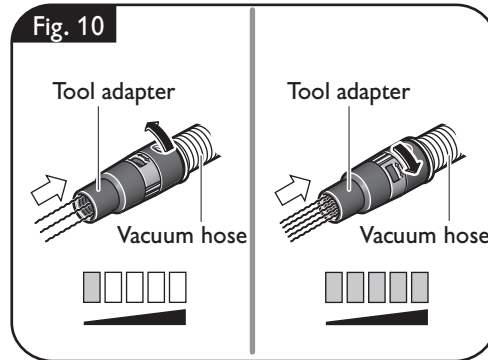


Regulating the air flow (figure 10).

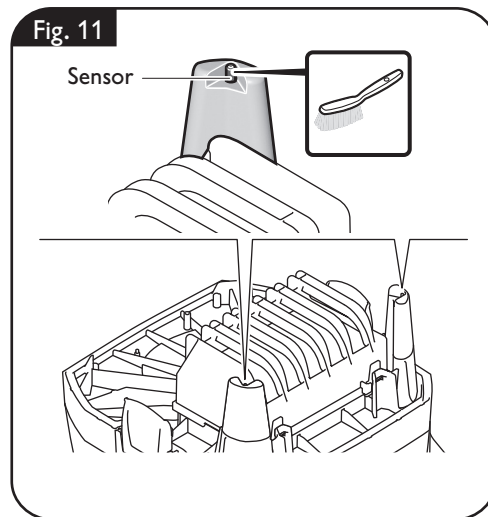
The air flow can be variably increased or decreased.

To increase the air flow, turn the air-volume regulator counterclockwise.

To decrease the air flow, turn the air-volume regulator clockwise.

**Cleaning the sensors (figure 11).**

After completion of the wet vacuuming, clean the sensors and their intermediate area using a brush.

**Further notes.**

For wet vacuuming, use the flat-fold filter only; do not use a fleece filter bag.

For dry vacuuming, always use the flat-fold filter and the fleece filter bag.

CAUTION Never vacuum without the flat-fold filter, as otherwise the motor will become damaged and increased output of fine dust may pose a hazard to one's health. For vacuuming fine dust, a fleece filter bag must additionally be used. When the exhaust air is circulated, an adequate ventilation rate L must be given. The recirculated flow rate must not exceed 50 % (max.) of the fresh air volume (volume of space \times ventilation rate L_w). Without special ventilation measures, the following applies: $L_w = 1 \text{ h}^{-1}$.

When wet vacuuming electrically-conductive liquids, the vacuum cleaner is automatically switched off after reaching the maximum filling height (automatic shut-off). Pull the mains plug from the socket outlet and empty the container.

When wet vacuuming electrically non-conductive liquids, the vacuum cleaner is **not automatically switched off** after reaching the maximum filling height. Empty the container in time.

When foam comes out of the vacuum cleaner, switch the vacuum cleaner off immediately and empty the container.

Repair and customer service.

⚠ WARNING Before mounting or replacing accessories, pull the mains plug. This preventive safety measure rules out the danger of injuries through accidental starting of the vacuum cleaner.

Exchangeable parts

If required, you can change the following parts yourself:

fleece filter bag, flat-fold filter, filter cartridge, hose, tool adapter

Service.

⚠ WARNING Have maintenance carried out only through qualified personnel. Incorrectly mounted leads and components can cause serious injuries. Have the required service carried out only through a FEIN customer service agent.

The current spare parts list can be found on the Internet under www.fein.com.

Maintenance and cleaning.

☞ Check the connections, seals and hoses. Have damages repaired only through a qualified repair person and only using original FEIN replacement parts.

☞ Empty the container each time after using and remove coarse debris and dust.

Empty the container after vacuuming liquids. Afterwards, run the vacuum cleaner with the accessories connected for several minutes in order to dry them.

When the machine's power supply cord is damaged, it must be replaced by the manufacturer or their representative.

A dust-technical inspection is to be carried out at least once every year by the manufacturer or an instructed person, e. g. for damage of the filter, tightness against leakage of the vacuum cleaner and function of the control/monitoring devices.

For category L vacuum cleaners that were in contaminated environments, the exterior as well as all vacuum cleaner parts should be cleaned or treated with sealants. When performing maintenance and repair work, all contaminated components that cannot be cleaned to satisfactory must be disposed of. Such components must be disposed of in impermeable plastic bags conforming with the valid regulations for the disposal of such waste.

For maintenance on behalf of the user, the vacuum cleaner must be disassembled, cleaned and maintained as far as feasible, without causing a risk for the maintenance personnel or other persons. Prior to disassembly, the vacuum cleaner should be cleaned in order to prevent any risks.

The room/enclosure in which the vacuum cleaner is disassembled should be well ventilated. Wear personal protective equipment during maintenance. After the maintenance, the maintenance area should be cleaned.

Products that have come into contact with asbestos may not be sent in for repair. Dispose of products contaminated with asbestos according to the applicable country-specific regulations for such disposal.

Warranty and liability.

The warranty for the product is valid in accordance with the legal regulations in the country where it is marketed. In addition, FEIN also provides a guarantee in accordance with the FEIN manufacturer's warranty declaration.

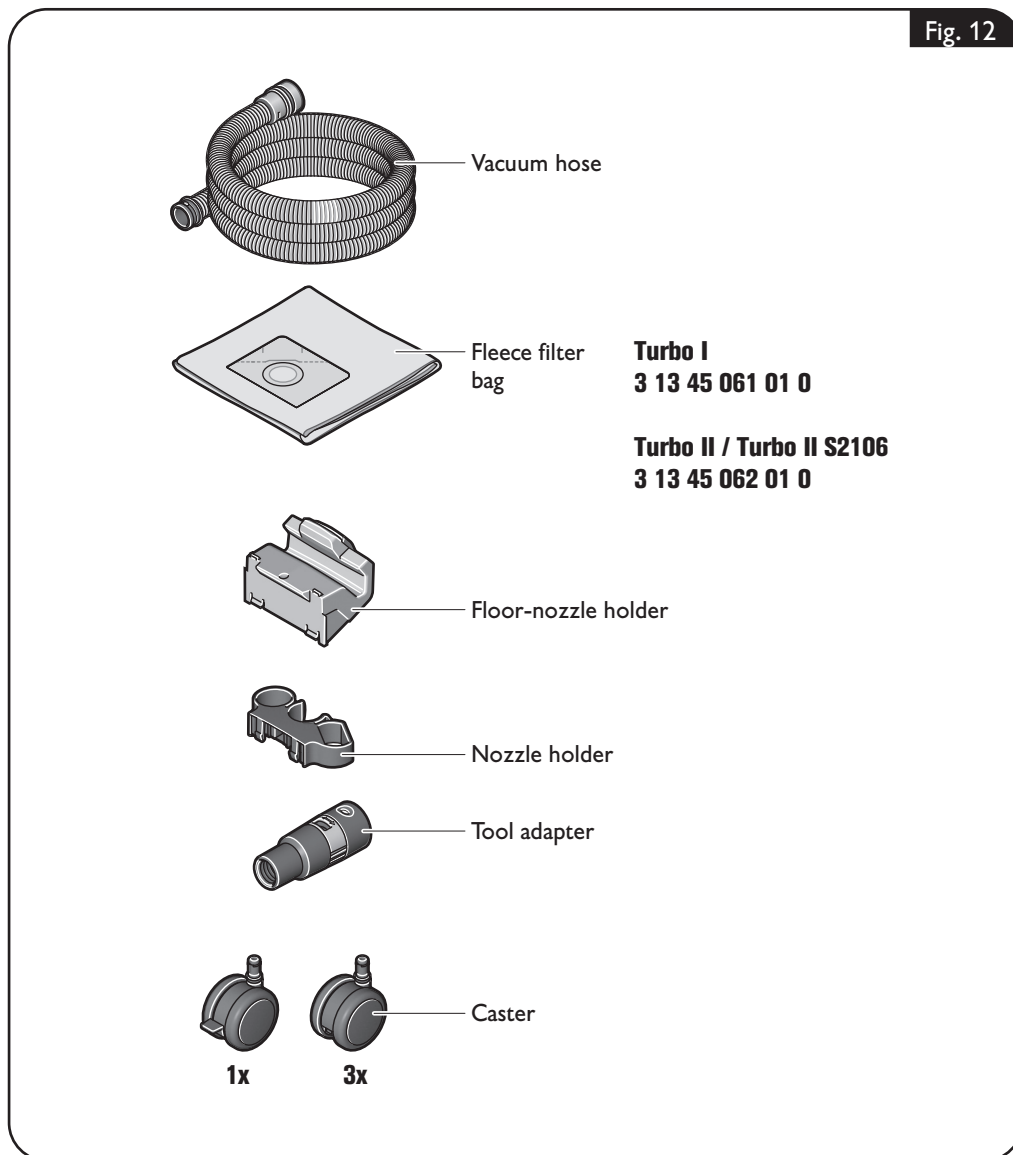
Not all accessories described or shown in this instruction manual will be included with your power tool.

Environmental protection, disposal.

Packaging, worn out power tools and accessories should be sorted for environmental-friendly recycling.

For further information, please contact your specialist shop.

Provided accessories (figure 12).



RÈGLES IMPORTANTES.

OBSERVEZ LES POINTS SUIVANTS AVANT LA MISE EN SERVICE DE L'ASPIRATEUR.

En cas de dommages dus au transport, veuillez en informer immédiatement votre revendeur.

Sortir tous les accessoires du carton.

L'aspirateur ne convient pas pour aspirer des poussières nocives comme p. ex. l'amiante. Pour de telles applications, veuillez vous adresser à votre représentation FEIN ou à votre revendeur FEIN.

Ne brancher l'aspirateur qu'à une prise de courant de sécurité conforme. Fusible nécessaire, voir les caractéristiques techniques.

Ne brancher l'aspirateur qu'à une prise de courant correctement reliée à la terre – voir les instructions de liaison à la terre.

Lorsque vous utilisez un appareil électrique, vous devez prendre certaines précautions de base, dont la suivante: Cet aspirateur est conçu pour l'usage professionnel.

DÉBRANCHER L'ASPIRATEUR avant d'enlever le couvercle, d'effectuer tout entretien et lorsqu'il n'est pas utilisé.

NE LAISSEZ PAS L'APPAREIL SANS SURVEILLANCE tant qu'il est branché.

TOUJOURS VÉRIFIER QUE LE CORDON D'ALIMENTATION n'est ni vieilli, ni abîmé, avant chaque usage.

NE PAS TRANSPORTER L'ASPIRATEUR OU LE TIRER PAR LE CORDON. Ne pas fermer de portes sur le cordon ou faire passer celui-ci sur des bords tranchants.

NE PAS METTRE LE CORDON À LA CHALEUR OU DANS DE L'HUILE. Ne pas laisser le cordon traîner par terre après la fin du travail. Il pourrait provoquer une chute.

NE PAS PASSER L'ASPIRATEUR SUR LE CORDON.

METTRE L'INTERRUPTEUR SUR avant de débrancher l'appareil.

NE PASTIRER SUR LE CORDON POUR DÉBRANCHER l'appareil. Tirer sur la prise.

NE PAS TOUCHER LA FICHE OU L'APPAREIL AVEC DES MAINS MOUILLÉES.

SI LE CORDON OU LA PRISE EST ABÎMÉ, le faire remplacer par un agent d'un centre de service agréé uniquement. **NE PAS ESSAYER DE RÉPARER SOI-MÊME.**

POUR ÉVITER TOUT CHOC ÉLECTRIQUE, ne pas laisser l'appareil sous la pluie. Le stocker à l'intérieur.

ÉLOIGNER LES CHEVEUX, LES VÊTEMENTS, LES BIJOUX FLOTTANTS, LES DOIGTS et toutes les parties du corps des ouvertures et des pièces mobiles.

ÉLOIGNER LES CHEVEUX, LES VÊTEMENTS, LES BIJOUX FLOTTANTS, LES DOIGTS et toutes les parties du corps des ouvertures et des pièces mobiles.

NE PAS FERMER OU OBSTRUER LES OUVERTURES. Enlever les peluches, cheveux, poussières et tout ce qui pourrait gêner le passage de l'air.

NE PAS ASPIRER D'OBJETS EN FEU, rougisants ou dégageant de la fumée tels que des allumettes, des cigarettes ou des cendres chaudes.

NE PAS ASPIRER DE MATÉRIAUX COMBUSTIBLES EXPLOSIFS, tels que charbon, grains et autres matériaux combustibles finement divisés.

NE PAS ASPIRER DE MATÉRIAUX COMBUSTIBLES, dangereux, toxiques ou cancérigènes comme l'essence, le gas-oil, l'acétone, les diluants à peinture, le fuel domestique, les acides et les solvants non dilués, les pesticides et l'amiante.

UTILISER LES FILTRES RECOMMANDÉS pour aspirer les solides.

NE PAS UTILISER L'APPAREIL SI LE FILTRE ou le sac à poussière n'est pas en place.

NE BRANCHER L'ASPIRATEUR QUE SUR UNE PRISE PROPREMENT RELIÉE À LA TERRE. Voir les consignes de raccordement à la terre.

INTERDIRE DE JOUER AVEC L'ASPIRATEUR. En tenir les enfants éloignés.

NE PAS LAISSER L'ASPIRATEUR SANS SURVEILLANCE pendant le fonctionnement.

NE PAS L'UTILISER SI LE CORDON, LA PRISE, LE FILTRE OU L'ASPIRATEUR EST EN MAUVAIS ÉTAT. Si l'aspirateur est tombé, a été abîmé, a été exposé, aux intempéries ou est tombé dans de l'eau, fe faire vérifier par un agent de service.

TOUJOURS PORTER UNE PROTECTION OCULAIRE lors de l'utilisation de l'aspirateur. **REDOUBLER DE PRUDENCE** pour l'utilisation dans un escalier.

RESTER VIGILANT! Ne pas utiliser l'aspirateur quand on est fatigué ou après avoir pris de la drogue, de l'alcool ou des médicaments.

CONSERVEZ CES INSTRUCTIONS.

CET ASPIRATEUR EST CONÇU POUR L'USAGE PROFESSIONNEL.

CONSIGNES DE SÉCURITÉ INSTRUCTIONS DE MISE À LA TERRE

Cet appareil doit être relié à la terre. En cas de mauvais fonctionnement ou de panne, la mise à la terre fournit au courant électrique un chemin de faible résistance et réduit le risque de choc électrique.

Cet appareil est muni d'un cordon équipé d'un fil de terre et d'une fiche de terre.

Cette fiche doit être branchée sur une prise appropriée qui a été correctement installée et reliée à la terre dans le respect des règles et décrets de votre localité.

AVERTISSEMENT:

Un raccordement incorrect du fil de terre peut conduire à un risque de choc électrique.

Se renseigner auprès d'un électricien ou d'un agent de service qualifié si vous n'êtes pas sûr que votre prise est correctement reliée à la terre.

Ne modifiez pas la fiche de l'appareil.

Si celle-ci ne correspond pas à la prise, faites plutôt installer une prise correcte par un électricien qualifié.

Cet appareil s'utilise sur un circuit en 120 volts nominaux et il est muni d'une fiche avec broche de terre qui ressemble à celle illustrée (Fig. A).

Il est permis d'utiliser temporairement un adaptateur ressemblant à celui illustré (Fig. B) pour se brancher sur une prise à deux pôles comme indiqué (Fig. B) si aucune prise correctement reliée à la terre n'est disponible.

L'adaptateur ne doit être utilisé que temporairement en attendant qu'une prise reliée correctement à la terre (Fig. A) puisse être installée par un électricien qualifié.

La languette ou connecteur (ou similaire) rigide de couleur verte dépassant de l'adaptateur doit être connecté à une terre permanente comme par exemple un couvercle de boîtier de prise relié correctement à la terre.

Si l'adaptateur est utilisé, il doit être fixé par une vis en métal.

ASSUREZ-VOUS DANS TOUS LES CAS QUE LA PRISE EN QUESTION EST DÛMENT MISE À LA TERRE.

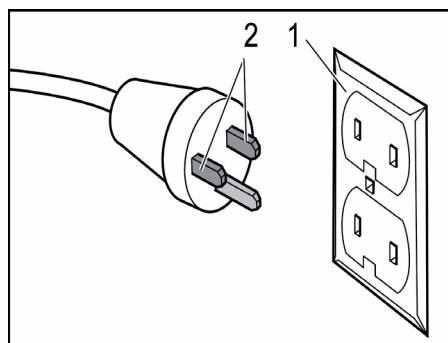
NE RETIREZ JAMAIS LA BROCHE DE TERRE DE LA FICHE.

CORDONS DE RALLONGE

Utilisez uniquement des cordons de rallonge trifilaires qui possèdent des fiches à trois broches avec terre et une prise tripolaire qui accepte la fiche de l'appareil. Remplacez immédiatement le cordon endommagé ou usé.

NE PAS ESSAYER DE RÉPARER SOI-MÊME.

Figure A

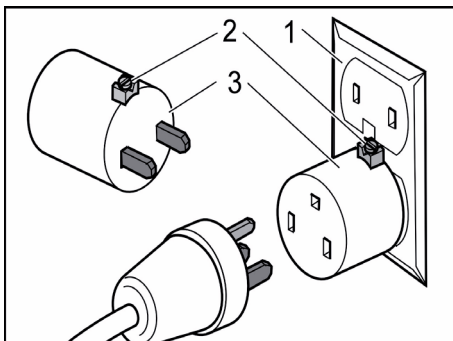


1 Boîte à prises mise à la terre

2 Broches conductrices

La broche de terre est la plus longue des 3 broches

Bild B



- 1 Boîte à prises mise à la terre
- 2 Moyen de mise à la terre
- 3 Adaptateur


Instruction: Au Canada, les normes électriques canadiennes (Canadian Electrical Code) interdisent l'usage de l'adaptateur temporaire.

Pour votre sécurité.

⚠ AVERTISSEMENT Lisez tous les avertissements de sécurité et

toutes les instructions. Ne pas suivre les avertissements et instructions peut donner lieu à une électrocution, un incendie et/ou une blessure sérieuse.

Conservez tous les avertissements et toutes les instructions pour pouvoir vous y reporter ultérieurement.

 Ne pas utiliser cet aspirateur avant d'avoir soigneusement lu et complètement compris cette notice d'utilisation y compris les figures, les spécifications, les règles de sécurité ainsi que les indications marquées par DANGER, AVERTISSEMENT et ATTENTION.

N'effectuez avec cet aspirateur que des travaux pour lesquels il a été conçu par FEIN. N'utiliser que des outils de travail et accessoires autorisés par FEIN.

De même, respectez les dispositions concernant la prévention des accidents du travail en vigueur dans le pays en question.

Le non-respect des instructions de sécurité se trouvant dans la documentation mentionnée peut entraîner un choc électrique, un incendie et/ou de graves blessures.

Bien garder cette notice d'utilisation en vue d'une utilisation ultérieure ; elle doit être jointe à l'appareil en cas de transmission ou de vente à une tierce personne.

GARDER SOIGNEUSEMENT CES INSTRUCTIONS DE SECURITE.

Instructions générales de sécurité.

1) Zone de travail

a) Maintenez la zone de travail propre et bien rangée. Un lieu de travail en désordre ou mal éclairé augmente le risque d'accidents.

b) Ne pas faire fonctionner l'appareil en atmosphère explosive, par exemple en présence de liquides inflammables, de gaz ou de poussières. Les outils électriques produisent des étincelles qui peuvent enflammer les poussières ou les fumées.

c) Tenir les enfants et autres personnes éloignés durant l'utilisation de l'aspirateur. Un moment d'inattention peut vous faire perdre le contrôle de l'outil.

2) Sécurité électrique

a) Il faut que les fiches de l'appareil soient adaptées au socle. Ne jamais modifier la fiche de quelque façon que ce soit. Ne pas utiliser d'adaptateurs avec des appareils à branchement de terre. Des fiches d'origine non modifiées et des prises électriques adaptées réduisent le risque de choc électrique.

b) Éviter tout contact du corps avec des surfaces reliées à la terre telles que les tuyaux, les radiateurs, les cuisinières et les réfrigérateurs. Il existe un risque accru d'électrocution si votre corps est relié à la terre.

c) Ne pas exposer l'outil à la pluie ou à l'humidité. La pénétration d'eau dans un outil électroportatif augmente le risque d'un choc électrique.

d) Ne pas utiliser le cordon à d'autres fins que celles prévues, ne pas utiliser le câble pour porter l'appareil ou pour l'accrocher ou encore pour le débrancher de la prise de courant. Eloigner le cordon de toute source de chaleur, d'huile, d'arêtes vives ou de parties en mouvement. Les cordons endommagés ou emmêlés augmentent le risque d'électrocution.

e) Lorsqu'on utilise un aspirateur à l'extérieur, utiliser un prolongateur agréé pour l'utilisation extérieure. L'utilisation d'un cordon adapté à l'utilisation extérieure réduit le risque de choc électrique.

f) Si l'usage d'un aspirateur dans un emplacement humide est inévitable, utiliser une alimentation protégée par un dispositif à courant différentiel réduit (RCD). L'usage d'un RCD réduit le risque de choc électrique.

3) Sécurité des personnes

a) Rester vigilant, faire bien attention à ce que vous faites. Faire preuve de raison en utilisant l'aspirateur. Ne pas utiliser l'appareil lorsque vous êtes fatigué ou sous l'emprise de drogues, d'alcool ou de médicaments. Un moment d'inattention pendant l'utilisation de l'appareil peut conduire à de graves blessures.

b) Éviter tout démarrage intempestif. Assurez-vous que l'interrupteur est effectivement en position « ARRÊT » avant d'enfoncer la fiche dans la prise de courant. Porter les appareils en ayant le doigt sur l'interrupteur ou brancher des appareils dont l'interrupteur est en position marche est source d'accidents.

c) Ne pas surestimer ses capacités. Garder une position et un équilibre adaptés à tout moment. Ceci vous permet de mieux contrôler l'appareil dans des situations inattendues.

4) Utilisation et emploi soigneux de l'aspirateur

a) Ne pas forcer sur l'appareil. Utiliser l'aspirateur adapté à votre application. Avec l'aspirateur approprié, vous travaillerez mieux et avec plus de sécurité à la vitesse pour laquelle il est prévu.

b) Ne pas utiliser l'aspirateur si l'interrupteur ne permet pas de passer de l'état de marche à arrêt et vice versa. Tout aspirateur qui ne peut pas être commandé par l'interrupteur est dangereux et il faut le réparer.

c) Débrancher la fiche de la source d'alimentation en courant avant tout réglage, changement d'accessoires ou avant de ranger l'appareil. Cette mesure de précaution empêche une mise en fonctionnement involontaire.

d) Conserver les aspirateurs à l'arrêt hors de la portée des enfants. Ne pas autoriser les personnes ne connaissant pas l'outil ni les présentes instructions à le faire fonctionner. Les aspirateurs sont dangereux entre les mains d'utilisateurs novices.

e) Observer la maintenance de l'outil. Vérifiez que les parties mobiles fonctionnent correctement et qu'elles ne sont pas coincées, et contrôlez si des pièces sont cassées ou endommagées de telle sorte que le bon fonctionnement de l'appareil s'en trouve entravé. En cas de dommages, faire réparer l'outil avant de l'utiliser. De nombreux accidents sont dus à des aspirateurs mal entretenus.

f) Utilisez les aspirateurs, les accessoires, les outils à monter etc. conformément à ces instructions et aux prescriptions en vigueur pour ce type d'appareil. Tenir compte des conditions de travail et de la tâche à réaliser. L'utilisation de l'aspirateur pour des opérations différentes de celles prévues pourrait donner lieu à des situations dangereuses.

5) Service Après-Vente

a) Ne faites réparer votre aspirateur que par un personnel qualifié et seulement avec des pièces de rechange d'origine. Ceci permet d'assurer la sécurité de l'aspirateur.

Instructions particulières de sécurité.

Porter un équipement de protection individuelle. En fonction de l'application, utiliser un écran facial, des lunettes de sécurité ou des verres de sécurité. Le cas échéant, utiliser un masque antipoussières, des protections auditives, des gants et un tablier capables d'arrêter les petits fragments abrasifs ou des pièces à usiner. La protection oculaire doit être capable d'arrêter les débris volants produits par les diverses opérations. Le masque antipoussières ou le masque respiratoire doit être capable de filtrer les particules produites par vos travaux. L'exposition prolongée aux bruits de forte intensité peut provoquer une perte de l'audition.

N'utiliser l'aspirateur qu'avec des prises de courant de sécurité conformes à la législation. N'utiliser que des câbles de raccordement en parfait état et des rallonges régulièrement contrôlées. Un conducteur de protection discontinu peut entraîner un choc électrique.

La tubulure de raccordement mise à la terre dissipe les charges électrostatiques. Ceci évite, avec les accessoires faisant office de dissipateurs électrostatiques (en option), la formation d'étincelles et les chocs électriques.

Cet aspirateur doit être utilisé par des personnes disposant des capacités physiques adaptées et de l'expérience et/ou des connaissances nécessaires. Si tel n'était pas le cas ou en cas d'utilisation de cet aspirateur par des enfants, cette utilisation ne sera possible que sous la surveillance d'une personne

responsable de la sécurité des utilisateurs ou que ces derniers aient été instruits quant au maniement de l'appareil. Dans le cas contraire, un risque de mauvaise utilisation et de blessures existe.

Les enfants doivent être surveillés. Veillez à ce que les enfants ne jouent pas avec l'aspirateur.

Lors de l'aspiration de liquides, n'utiliser l'aspirateur que lorsque le réservoir est en position horizontale. Sinon, il y a risque de choc électrique causé par l'eau qui pénètre dans le moteur de l'aspirateur.

Ne pas utiliser le câble d'alimentation pour tirer l'aspirateur ou pour retirer la fiche de la prise de courant. Maintenir le câble d'alimentation à l'écart de la chaleur, du lubrifiant, des arêtes ou des parties en mouvement. Ne pas écraser ou coincer le câble d'alimentation. Des câbles d'alimentations endommagés ou emmêlés augmentent le risque de choc électrique.

Retirer la fiche de la prise de courant avant de remplacer des accessoires. Cette mesure de sécurité réduit le risque de choc électrique.

Ne pas aspirer de matériaux nuisibles à la santé, p. ex. les poussières de hêtre ou de chêne, les poussières de pierre, l'amiante. Ces matériaux sont considérés cancérigènes.

Veillez à bien aérer la zone de travail.

Ne pas aspirer de liquides inflammables ou explosifs, par ex. essence, huile, alcool, solvant. Ne pas aspirer de poussières très chaudes ou inflammables. Ne pas utiliser l'aspirateur dans des locaux où il y a risque d'explosion. Les poussières, vapeurs ou liquides risquent de s'enflammer ou d'exploser.

Il est interdit de visser ou de riveter des plaques ou de repères sur l'aspirateur. Une isolation endommagée n'offre aucune protection contre un choc électrique. Utiliser des autocollants.

Ne pas utiliser d'accessoires non conçus spécifiquement ou recommandés par FEIN pour cet aspirateur. Le simple fait que l'accessoire puisse être fixé à votre aspirateur ne garantit pas un fonctionnement en toute sécurité.

Avant la mise en service, assurez-vous que le câble de raccordement et la fiche sont en parfait état.

⚠ AVERTISSEMENT La prise de l'aspirateur ne doit être utilisée que pour les usages définis dans ces instructions d'utilisation.

Respecter également la notice d'utilisation et les consignes de sécurité de l'outil électrique qui est branché sur la prise de l'aspirateur.

Recommandation : Faites toujours fonctionner l'aspirateur sur un réseau électrique équipé d'un dispositif à courant différentiel réduit (RCD) 30 mA max.

L'aspirateur ne doit être rangé qu'à l'intérieur.

Valeurs d'émission pour bruit et vibration

(Indication à deux chiffres conformément à CEI 60335-2-69)

Emission acoustique

Mesure réelle (A) du niveau de pression acoustique sur le lieu de travail L_{pA} (re 20 μ Pa), en décibel

Turbo I

**Turbo II/
Turbo II S2106**

67

67

Incertitude K_{pA} , en décibel

2

2

REMARQUE : La somme de la valeur d'émission mesurée et de l'incertitude constitue la limite supérieure des valeurs qui peuvent apparaître pendant des mesurages.

 Porter une protection acoustique !

Valeurs de mesure mesurées conformément à la norme correspondante du produit.

Câble de rallonge.

⚠ AVERTISSEMENT Au cas où une rallonge serait nécessaire, la longueur ainsi que la section du conducteur de celle-ci doivent être appropriées à l'utilisation afin d'éviter une baisse de tension dans la rallonge, une perte de puissance et une surchauffe de l'aspirateur. Sinon la rallonge et l'aspirateur présentent des dangers électriques et l'efficacité du travail est entravée.

Dimensions recommandées pour câbles de rallonge pour une tension de service de 120 V courant alternatif monophasé si seulement Turbo I, Turbo II, Turbo II S2106 est connecté :

Longueur du câble en pieds			Longueur du câble en m		
≤ 100	100 -200	200 -300	≤ 30	30 - 60	60 -100
Dimension min. du conducteur en format américain (A.W.G.)			Section min. du conducteur, mm ²		
16	14	12	1.5	2.5	4

Utilisation de l'aspirateur :

Aspirateur à eau et poussière conçu comme outillage pour l'aspiration de poussières qui ne sont pas nuisibles à la santé et de poussières de la classe L, de petites particules d'encrassement, surtout lors de travaux, avec un outil électrique, qui génèrent de la poussière, et de liquides non inflammables dans un environnement à l'abri des intempéries avec utilisation des accessoires autorisés par FEIN.



⚠ AVERTISSEMENT

L'aspirateur contient de la poussière nocive à la santé. Ne faire vider et entretenir, aussi bien qu'éliminer les bacs de récupération des poussières que par des spécialistes. Un équipement de protection approprié est nécessaire. Ne pas faire fonctionner l'aspirateur sans le système de filtre complet. Vous mettez autrement votre santé en danger.

Fonctionnement de l'outil électrique avec des générateurs de courant.







Cet aspirateur est également conçu pour fonctionner sur des groupes électrogènes d'une puissance suffisante correspondant à la norme ISO 8528, classe de modèle G2. Cette norme n'est pas respectée si le facteur de distorsion harmonique dépasse 10 %. En cas de doute, informez-vous sur le groupe électrogène utilisé.

⚠ AVERTISSEMENT

Il est interdit de faire fonctionner l'aspirateur sur des groupes électrogènes dont la tension à vide dépasse la valeur de tension indiquée sur la plaque signalétique de l'outil électrique.

Symboles.

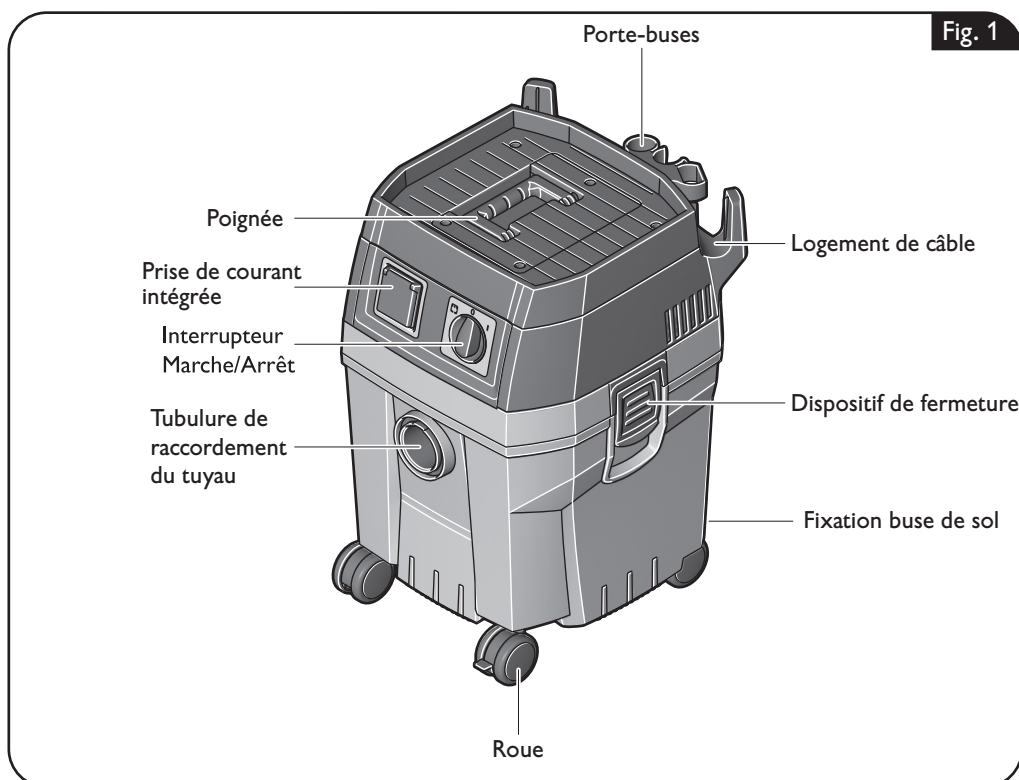
Symbole, signe	Explication
	Lire impérativement les documents ci-joints tels que la notice d'utilisation et les instructions générales de sécurité.
	Avant d'effectuer ce travail, retirez la fiche de la prise de courant. Sinon, il y a risque de blessures dû à un démarrage non intentionné de l'outil électrique.
	Suivre les indications données dans le texte ou la représentation graphique ci-contre !
	Suivre les indications données dans le texte ou la représentation graphique ci-contre !
	Lors des travaux, porter une protection oculaire.
	Lors des travaux, porter une protection acoustique.
	Mise en fonctionnement
	Arrêt
	Ce symbole confirme la certification de ce produit aux Etats-Unis et au Canada.
	Signal d'interdiction général. Cette action est interdite !

Symbole, signe	Explication
 DANGER	Cette indication met en garde contre une situation dangereuse imminente. Une mauvaise manipulation peut entraîner de graves blessures ou la mort.
 AVERTISSEMENT	Cette indication indique une situation éventuellement dangereuse pouvant entraîner de graves blessures ou la mort.
 ATTENTION	Cette indication met en garde contre une situation potentiellement dangereuse qui peut entraîner des blessures.
	Trier les outils électriques ainsi que tout autre produit électrotechnique et électrique et les déposer à un centre de recyclage respectant les directives relatives à la protection de l'environnement.
	Produit avec isolation de base et raccordement supplémentaire au conducteur de protection de tous les éléments conducteurs pouvant être touchés.
~ ou a. c.	Courant alternatif
1 ~	Courant alternatif, monophasé
IPX4	Type de protection
	à capacité de décharge de charges électrostatiques

Signe	Unité nationale	Explication
n_0	rpm; /min; min^{-1} ; r/min	Vitesse de référence
P	W	Unité de mesure pour la puissance électrique
P_{Max}	W	Puissance absorbée max.
	°	Unité de mesure pour la largeur d'angle
U	V	Unité de mesure pour la tension électrique
f	Hz	Unité de mesure pour la fréquence
I	A	Unité de mesure pour l'intensité du courant électrique
m	lbs	Unité de mesure pour la masse
l	ft, in	Unité de mesure pour longueur, largeur, hauteur, profondeur, diamètre ou filetage
\varnothing	ft, in	Diamètre d'un élément
$K...$		Incertitude
a	m/s^2	Valeur d'émission vibratoire conformément à la norme EN 60745 (somme vectorielle des trois axes directionnels)
	m, s, kg, A, mm, V, W, Hz, N, °C, dB, min, m/s^2	Unités de base et unités dérivées du système international SI .

Description technique et spécification.

⚠ AVERTISSEMENT Avant de commencer les travaux de montage ou avant de changer les accessoires, retirez la fiche de secteur. Cette mesure de sécurité préventive exclut un danger de blessure causé par un démarrage non intentionné de l'aspirateur. Il se peut que seule une partie des accessoires décrits ou représentés dans cette notice d'utilisation soit fournie avec l'aspirateur.



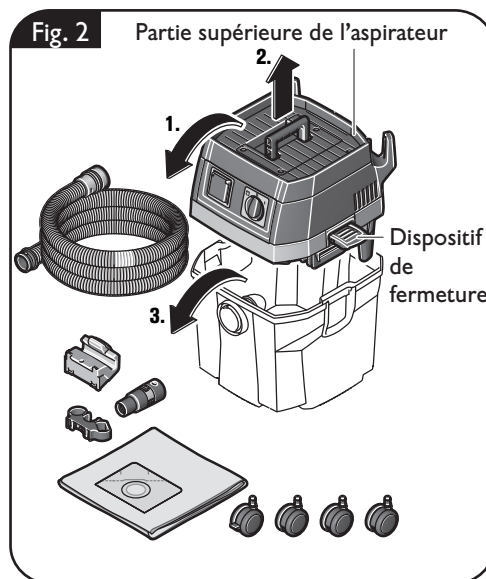
Type	Turbo I	Turbo II/ Turbo II S2106
Référence	9 20 35	9 20 36
Courant absorbé	9 A	9 A
Puissance absorbée max. de la prise intégrée	1 – 6 A	1 – 6 A
Contenance du réservoir	5.8 gal 22 l	8.4 gal 32 l
Quantité de remplissage du liquide	3.4 gal 13 l	6.9 gal 26 l
Courant volumétrique avec tuyau 4 m	72 cfm 34 l/s	72 cfm 34 l/s
Courant volumétrique au ventilateur	151 cfm 71 l/s	151 cfm 71 l/s
Vide	24.5 kPa	24.5 kPa
Longueur x largeur x hauteur	440 mm x 380 mm x 471 mm	440 mm x 380 mm x 569 mm
Poids suivant EPTA-Procedure 01	17.8 lbs (8.1 kg)	20.1 lbs (9.1 kg)
Classe de protection	⊕/I	⊕/I

Changement d'outil.

⚠ AVERTISSEMENT Avant de commencer les travaux de montage ou avant de changer les accessoires, retirez la fiche de secteur. Cette mesure de sécurité préventive exclut un danger de blessure causé par un démarrage non intentionné de l'aspirateur.

Retirer les accessoires (figure 2).

Lors de la fourniture, tous les accessoires se trouvent à l'intérieur de l'aspirateur. Ouvrez les fermetures des deux côtés et relevez la partie supérieure de l'aspirateur. Retirez les accessoires s'y trouvant ; figure ci-contre symbolique.

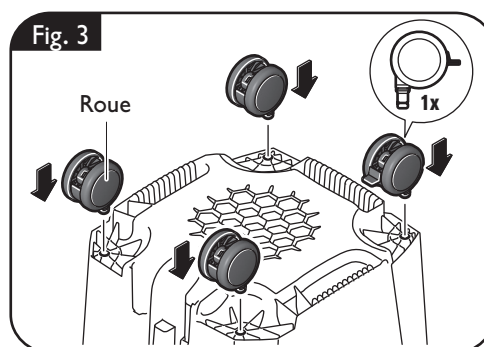


Indications de montage.

⚠ AVERTISSEMENT Avant de commencer les travaux de montage ou avant de changer les accessoires, retirez la fiche de secteur. Cette mesure de sécurité préventive exclut un danger de blessure causé par un démarrage non intentionné de l'aspirateur. Monter les accessoires en appliquant une légère pression. Pour démonter les accessoires, les tourner légèrement l'un contre l'autre tout en tirant.

Montage des roues (figure 3).

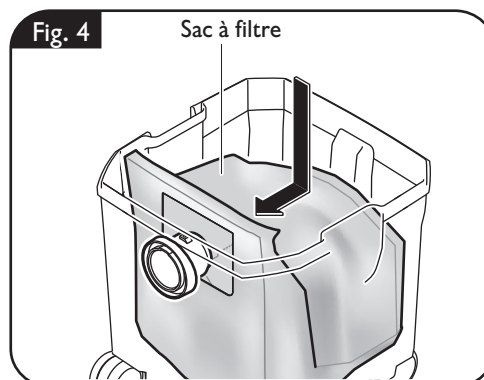
Montez les roues.



Montage du sac à filtre (figure 4).

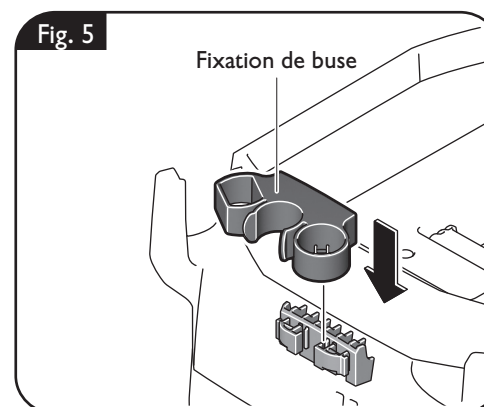
Ouvrez les fermetures des deux côtés et relevez la partie supérieure de l'aspirateur. Saisissez le nouveau sac à filtre par la bride en carton, d'abord en bas, puis en haut et poussez-le par-dessus la came.

Lorsque vous insérez le sac à filtre, veiller à ce que la bride en carton ainsi que le sac à filtre collent bien à la paroi intérieure du réservoir. Remettez en place la partie supérieure de l'aspirateur et raccordez les fermetures. Après avoir sorti le sac à filtre, fermer le couvercle pour éviter des encrassements.



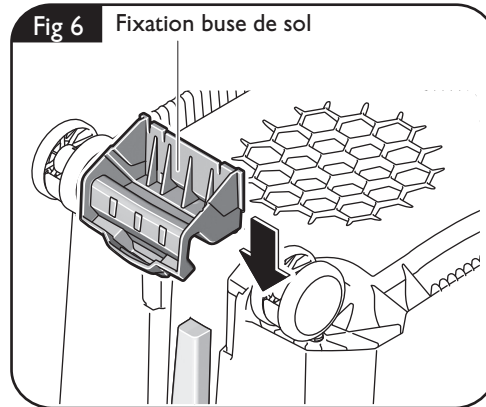
Montage du porte-buse (figure 5).

Montez le porte-buse.



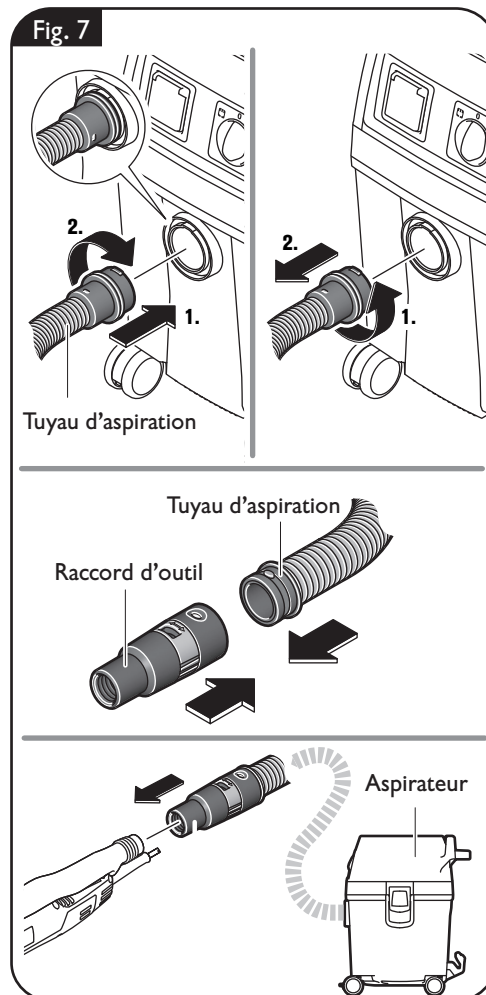
Montage de la fixation buse de sol (figure 6).

Montez la fixation buse de sol.



Raccordement du tuyau d'aspiration (figure 7).

Introduisez jusqu'à la butée le tuyau d'aspiration dans la tubulure de raccordement. Bloquez la fermeture par une légère rotation. Connectez le raccord avec le tuyau d'aspiration et avec l'outil souhaité.



Montage et nettoyage du filtre plat à plis (figure 8).

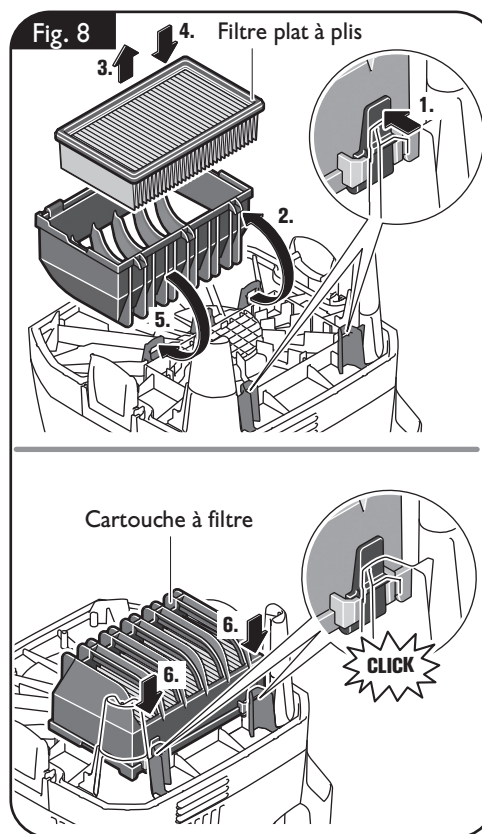
⚠ Avant de commuter d'aspiration de liquides à aspiration à sec, laissez sécher le filtre plat à plis humide ou le remplacer par un filtre sec. Autrement, le filtre plat à plis sera inutilisable.

Maintenir sec le filtre plat à plis et le nettoyer régulièrement.

Pour le démonter, enfoncez à fond le blocage et retirez la cartouche ainsi que le filtre plat à plis.

Nettoyez régulièrement le filtre plat à plis en le tapant plusieurs fois contre le sol après l'avoir retiré.

Placez le filtre plat à plis nettoyé ou éventuellement neuf dans la cartouche et le fixez dans les œillets ainsi que dans le blocage.



Indications pour le travail.

⚠ AVERTISSEMENT Avant de commencer les travaux de montage ou avant de changer les accessoires, retirez la fiche de secteur. Cette mesure de sécurité préventive exclut un danger de blessure causé par un démarrage non intentionné de l'aspirateur.

Mise en fonctionnement/Arrêt (figure 9).

⚠ AVERTISSEMENT Assurez-vous que le câble de raccordement et la fiche sont en parfait état.

Mise en fonctionnement :

Mettez l'interrupteur Marche/Arrêt sur (I).

Arrêt :

Mettez l'interrupteur Marche/Arrêt sur (0).

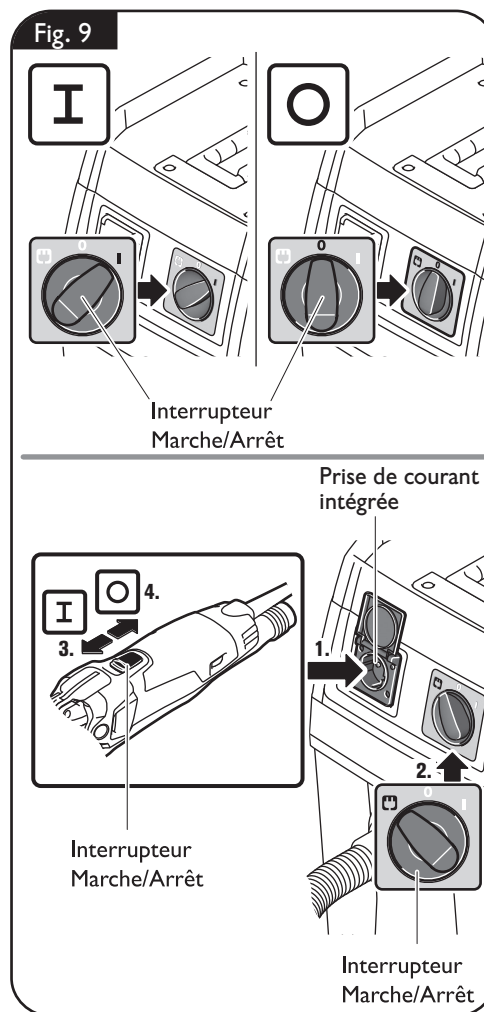
Mise en marche et arrêt avec l'outil électrique connecté :

Arrêtez l'aspirateur avant de raccorder un outil électrique à la prise de l'aspirateur. N'enfoncer que des outils électriques mis hors fonction dans la prise d'aspirateur.

L'aspirateur est automatiquement mis en marche/mis hors fonction par l'intermédiaire de l'outil électrique raccordé à la prise intégrée. Enfoncez la prise de secteur de l'outil électrique dans la prise intégrée.

Mettez l'interrupteur Marche/Arrêt de l'aspirateur sur le symbole de la prise de secteur. Mettez en marche/arrêtez l'outil électrique – l'aspirateur démarre/s'arrête automatiquement.

Une fois un outil électrique raccordé à la prise d'aspirateur arrêté, l'aspirateur continue à fonctionner pendant 15 secondes environ, puis s'arrête automatiquement.

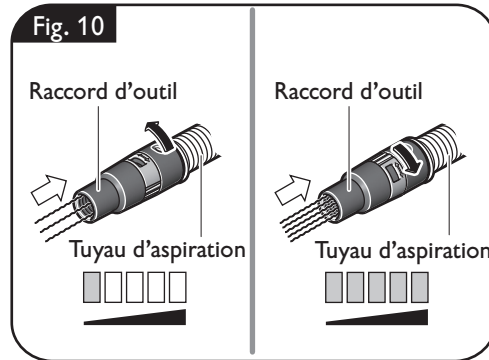


Réglage du débit d'air (figure 10).

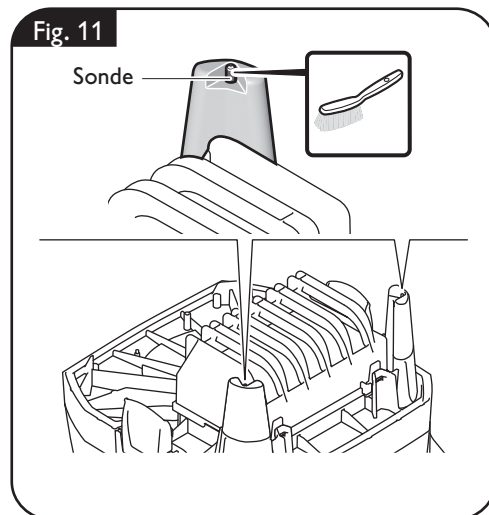
Le débit d'air peut être augmenté ou diminué en continu.

Tournez le régulateur de débit d'air sur vers la gauche pour augmenter le débit d'air.

Tournez le régulateur de débit d'air vers la droite pour diminuer le débit d'air.

**Nettoyage des sondes (figure 11).**

Une fois l'aspiration de liquides terminée, nettoyez les sondes et leurs interstices à l'aide d'une brosse.

**Renseignements supplémentaires.**

Pour l'aspiration de liquides, n'utiliser que le filtre plat à plis et jamais le sac à filtre.

Pour l'aspiration de matières sèches, toujours utiliser le filtre plat à plis et le sac à filtre.

ATTENTION Ne jamais aspirer sans le filtre plat à plis car autrement le moteur risque d'être endommagé et l'émission accrue de poussières fines constitue un danger pour la santé. Pour aspirer les poussières fines, utiliser en plus un sac à filtre.

Si l'air vicié remontait dans la pièce, s'assurer que le taux de renouvellement d'air L dans la pièce est suffisant. Le débit volumétrique remontant ne doit pas dépasser 50 % du volume d'air frais (volume spatial x taux de

renouvellement d'air L_w). Sans mesure de ventilation particulière ce qui suit sert de règle : $L_w = 1 \text{ h}^{-1}$.

Lors de l'aspiration de liquides conducteurs d'électricité, l'aspirateur s'arrête automatiquement une fois que le niveau de remplissage maximum du réservoir est atteint (coupure automatique). Retirer la fiche de la prise de courant et vider le réservoir.

Lors de l'aspiration de liquides non-conducteurs, l'aspirateur **ne s'arrête pas automatiquement** une fois que le niveau de remplissage maximum du réservoir est atteint. Videz à temps le réservoir.

Dès que de la mousse sort, arrêter immédiatement l'aspirateur et vider le réservoir.

Travaux d'entretien et service après-vente.

⚠ AVERTISSEMENT Avant de commencer les travaux de montage ou avant de changer les accessoires, retirez la fiche de secteur. Cette mesure de sécurité préventive exclut un danger de blessure causé par un démarrage non intentionné de l'aspirateur.

Pièces remplaçables.

Si nécessaire, vous pouvez vous-même remplacer les éléments suivants :

Sac à filtre, filtre plat à plis, cartouche, tuyau, raccord d'outil

Service après-vente.

⚠ AVERTISSEMENT Ne faire effectuer les travaux d'entretien que par des personnes qualifiées. Les câbles et éléments mal montés peuvent présenter des risques graves. Ne faire effectuer le service d'entretien nécessaire que par une station de service après-vente FEIN.

Vous trouverez la liste actuelle des pièces de rechange de l'aspirateur sur le site Internet www.fein.com.

Entretien et nettoyage.

☞ Contrôler les flexibles, joints d'étanchéité et raccords. Ne faire réparer des dommages que par un personnel qualifié et seulement avec des pièces de rechange d'origine FEIN.

☞ Videz le réservoir après chaque utilisation et enlevez les grosses saletés ainsi que la poussière.

Videz le réservoir après avoir aspiré des liquides. Continuez ensuite à laisser l'aspirateur fonctionner pendant quelques minutes, les accessoires branchés, pour les sécher.

Si le câble d'alimentation de l'outil électrique est endommagé, le faire remplacer par le fabricant ou son représentant.

Un contrôle conformément aux prescriptions relatives à l'aspiration des poussières, pour contrôler par ex. un endommagement éventuel du filtre, l'étanchéité de l'aspirateur et le fonctionnement correct des installations de contrôle, doit être effectué au moins une fois par an par le fabricant de l'appareil ou par un personnel qualifié.

Pour les aspirateurs de la classe L utilisés ou rangés dans des lieux sales, il est recommandé de nettoyer leur surface extérieure ainsi que toutes les parties de la machine, ou de les traiter au moyen d'agents d'étanchéité. Lors des travaux d'entretien ou de réparation, toutes les parties encrassées qui ne peuvent pas être nettoyées de manière satisfaisante doivent être éliminées. Ces pièces doivent être mises dans des sacs étanches conformément aux prescriptions en vigueur relatives à l'élimination des déchets de cette sorte.

Pour les travaux d'entretien effectués par l'utilisateur, l'aspirateur doit être démonté, nettoyé et entretenu dans la mesure du possible, sans que cela ne présente un danger pour le personnel chargé des travaux d'entretien et de maintenance ou pour tout autre personne. Avant de procéder au démontage, il est recommandé de nettoyer l'appareil afin de prévenir des dangers éventuels.

Veiller à une bonne aération de la pièce dans laquelle l'aspirateur est censé être démonté. Pendant les travaux d'entretien, porter un équipement personnel de protection. Une fois les travaux d'entretien terminés, il est recommandé de nettoyer l'endroit de travail. Les produits ayant été en contact avec de l'amiante ne doivent pas être réparés. Éliminez les produits contaminés par l'amiante conformément aux dispositions nationales relatives à l'élimination de déchets contenant de l'amiante.



Garantie.

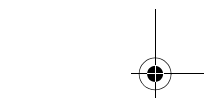
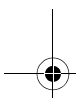
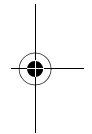
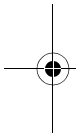
La garantie du produit est valide conformément à la réglementation légale en vigueur dans le pays où le produit est mis sur le marché. Outre les obligations de garantie légale, les appareils FEIN sont garantis conformément à notre déclaration de garantie de fabricant.

Il se peut que seule une partie des accessoires décrits ou représentés dans cette notice d'utilisation soit fournie avec l'outil électrique.

Protection de l'environnement, recyclage.

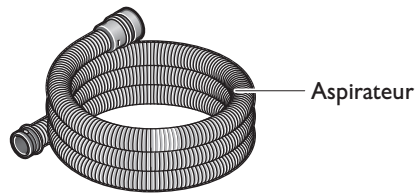
Rapportez les emballages, les outils électriques hors d'usage et les accessoires dans un centre de recyclage respectant les directives concernant la protection de l'environnement.

Pour plus de précisions, veuillez vous adresser à votre revendeur spécialisé.

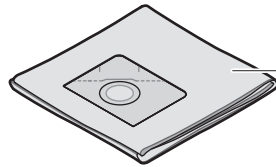


Accessoires fournis (figure 12).

Fig. 12



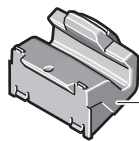
Aspirateur



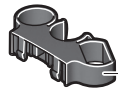
Sac à filtre

Turbo I
3 13 45 061 01 0

Turbo II / Turbo II S2106
3 13 45 062 01 0



Fixation buse de sol



Porte-buses



Raccordement



1x



3x

Roue

ADVERTENCIAS IMPORTANTES.

ANTES DE LA PRIMERA PUESTA EN MARCHA DEL APARATO DEBERÁN OBSERVARSE LOS SIGUIENTES PUNTOS.

Si al desembalar el aparato comprobara Vd. algún daño o desperfecto en el mismo atribuible al transporte, rogamos se dirija inmediatamente al distribuidor en donde adquirió el aparato.

Extraiga la totalidad de las piezas y accesorios del aparato que se encuentran en el recipiente del mismo o en la caja de cartón del embalaje. El aparato no es apropiado para la aspiración de polvos nocivos para la salud, como por ejemplo amianto. Para este tipo de aplicaciones deberá ponerse en contacto con su Distribuidor o la Delegación Nacional de FEIN.

El aspirador sólo se deberá conectar a tomas de corriente instaladas correctamente y provistas de una puesta a tierra reglamentaria. Los datos necesarios para el fusible de la red figurarán en el apartado "Características Técnicas". Conectar el aparato sólo a tomas (cajas) de corriente correctamente instaladas y provistas de puesta a tierra (véanse al respecto también las advertencias que se hacen en el apartado "Instrucciones para conectar a tierra eléctrica").

En caso de utilizar herramientas eléctricas acopladas al aparato, deberán observarse estrictamente todas las normas de seguridad básicas, a fin de prevenir cualquier riesgo de incendio, descargas eléctricas o daños o lesiones del personal encargado de manipular los mismos: Esta aspiradora está diseñada para uso comercial.

DESCONECTE LA ASPIRADORA DEL CIRCUITO DE ALIMENTACIÓN antes de quitar la tapa, antes de realizar trabajo de mantenimiento y cuando no la esté utilizando.

NO DEJAR EL APARATO sin vigilancia, mientras esté enchufado.

SIEMPRE VERIFIQUE QUE EL CABLE ELECTRICO no esté dañado o desperfecto antes de usar la Aspiradora.

NO TIRE (Jale) O LLEVE LA ASPIRADORA POR EL CABLE ELECTRICO. Tampoco debe pellizcarlo con una puerta o estirarlo por ningún canto (borde) agudo.

NO EXPONGA EL CABLE A LO CALIENTE NI A ACEITES. Para prevenir un tropiezo, no deje el cable suelto después de usarlo.

NO PASE LA ASPIRADORA POR ENCIMA DEL CABLE DE ALIMENTACIÓN.

PONGA EL SELECTOR EN LA POSICION DE "OFF" antes de desenchufar la Aspiradora.

NO DESENCHUFE EL CABLE DE UN TIRON (Jalón). Para desenchufarle agarre la clavija (enchufe) no el cable.

NO TOQUE LA CLAVIJA NI EL APARATO CON LAS MANOS MOJADAS.

EL CABLE ELECTRICO (O LA CLAVIJA) sólo debe ser reemplazado por un representante de un Centro de Servicio Autorizado. SE NINGUNA MANERA DEBE INTENTAR LA REPARACION DEL CABLE ELECTRICO.

PARA PREVENIR CHOQUES ELECTRICOS, no exponga la herramienta a la lluvia. Guárdela en un lugar seco.

SOLO USE LA ASPIRADORA COMO ESTA RECOMENDADO EN ESTE MANUAL. También use únicamente los accesorios recomendados.

MANTENGA ALEJADOS EL CABELLO (PELO), ROPA, ALHAJAS SUELTAS, DEDOS o cualquier otra parte del cuerpo, de las aberturas y partes móviles de la máquina.

NO CUBRA NI OBSTRUYA LAS ABERTURAS. Mantenga las aberturas libres de pelusa, pelo, polvo y cualquier cosa que limite la circulación del aire.

NO ASPIRE NINGUNA COSA QUE SE ESTE QUEMANDO, ardiendo sin llama o echando humo, tal como cigarrillos (cigarros), fósforos (cerillos) o cenizas calientes.

NO ASPIRE MATERIALES COMBUSTIBLES O EXPLOSIVOS, tal como carbón de piedra, cereales (o su polvo) u otra sustancia fina y combustible.

NO ASPIRE MATERIALES COMBUSTIBLES, peligrosos, tóxicos o carcinógenos por ejemplo: gasolina, gasoil (petróleo para diesel), acetona, diluyente para pintura, aceite combustible, ácidos y disolventes no diluidos, pesticidas y amianto (asbesto).

USE LOS FILTROS RECOMENDADOS para limpiar (aspirar) materiales de paredes en seco o paneles de yeso.

NO OPERE LA ASPIRADORA SIN FILTRO ni sin instalar la bolsa de polvo.

NO CONECTE LA ASPIRADORA A TOMAS DE CORRIENTE CON CONEXIÓN A TIERRA. (Vea “NORMAS DE SEGURIDAD”).

NO DEJE QUE LA ASPIRADORA SEA USADA COMO JUGUETE. No permita que se acerquen niños a la Aspiradora.

NO DEJE LA ASPIRADORA EN MARCHA sin personal para cuidarla.

NO OPERE LA MAQUINA SI EL CABLE, EL ENCHUFE (La Clavija), EL FILTRO O LA PROPIA ASPIRADORA ESTA EN MALA CONDICION. Si la Aspiradora se ha caído o ha sido dañada o expuesta a la intemperie o si se ha caído en el agua, mándela o llévela a un representante de servicio autorizado para que el mismo verifique su funcionamiento.

SIEMPRE USE PROTECCION PARA LOS OJOS cuando opere la Aspiradora.

USE EXTREMA PRECAUCION al limpiar escaleras.

MANTENGASE ALERTA! No use la Aspiradora cuando esté cansado o bajo la influencia de medicación, alcohol o drogas.

GUARDE ESTAS INSTRUCCIONES.

ESTA ASPIRADORA ESTÁ DISEÑADA PARA USO COMERCIAL.

INSTRUCCIONES DE SEGURIDAD INSTRUCCIONES DE CONEXIÓN A TIERRA

Este electrodoméstico debe conectarse a tierra. Si funciona incorrectamente o se avería, la conexión a tierra proporciona un camino de resistencia mínima para la corriente eléctrica, con el fin de reducir el riesgo de descargas eléctricas.

Este electrodoméstico está equipado con un cable de alimentación que tiene un conductor de conexión a tierra del equipo y un enchufe de conexión a tierra.

El enchufe debe introducirse en un tomacorriente apropiado que esté instalado y conectado a tierra adecuadamente de acuerdo con todos los códigos y ordenanzas locales.

ADVERTENCIA:

La conexión incorrecta del conductor de conexión a tierra del equipo puede ocasionar un riesgo de descargas eléctricas.

Consulte a un electricista calificado o a una persona de servicio competente si no está seguro de si el tomacorriente está conectado a tierra adecuadamente.

No modifique el enchufe suministrado con el electrodoméstico.

Si el enchufe no entra en el tomacorriente, haga que un electricista calificado instale un tomacorriente apropiado.

Este electrodoméstico está diseñado para utilizarse en un circuito de 120 V nominales y tiene un enchufe conectado a tierra que tiene un aspecto como el del enchufe que se ilustra en la (Fig. A).

Puede utilizarse un adaptador temporal que tenga un aspecto como el del adaptador que se ilustra en la (Fig. B) para conectar este enchufe a un tomacorriente de dos polos, de la manera que se muestra en la (Fig. B), si no se dispone de un tomacorriente conectado a tierra adecuadamente.

El adaptador temporal debe utilizarse únicamente hasta que un electricista calificado pueda instalar un tomacorriente conectado a tierra adecuadamente (Fig. A).

La extensión rígida de color verde que sobresale del adaptador en forma de lengüeta, orejeta, etc., debe conectarse a una toma de tierra permanente, como por ejemplo una tapa de caja tomacorriente conectada a tierra apropiadamente.

Siempre que se utilice este adaptador, debe sujetarse en la posición correcta con un tornillo metálico.

EN TODOS CASOS, ASEGURE QUE LA TOMA DE CORRIENTE SEA APROPIADA-MENTE CONECTADA A TIERRA.

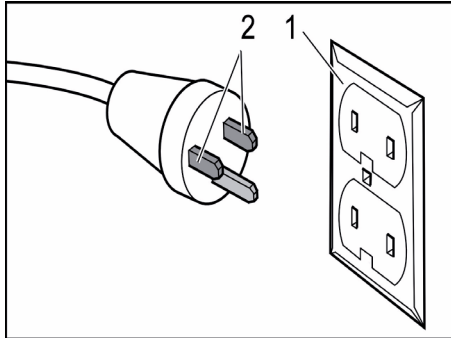
NUNCA quite el conductor de tierra de la clavija.

CABLES DE SERVICIO

Utilice únicamente cables de servicio de tres alambres que tengan enchufes de tres terminales del tipo de conexión a tierra y un tomacorriente de tres polos que acepte el enchufe del electrodoméstico. Reemplace inmediatamente cables de servicio dañados o gastados.

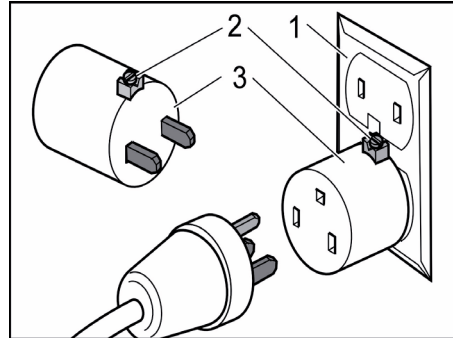
SE NINGUNA MANERA DEBE INTENTAR LA REPARACION DEL CABLE ELECTRICO.

Ilustración A



- 1 Caja de salida con conexión a tierra
 2 El conductor de tierra es el más largo
 El contacto más largo de los 3 es el contacto de tierra

Ilustración B



- 1 Caja de salida con conexión a tierra
 2 Lengüeta para conectar a tierra
 3 Adaptador

Indicación: En Canada, el uso de un adaptador temporal no está permitido por el Código Eléctrico Canadiense.

Para su seguridad.

⚠ ADVERTENCIA Lea íntegramente estas advertencias de peligro e instrucciones. En caso de no atenerse a las advertencias de seguridad siguientes, ello puede ocasionar una descarga eléctrica, un incendio y/o lesión grave. **Guardar todas las advertencias de peligro e instrucciones para futuras consultas.**

📖 No utilice este aspirador sin haber leído detenidamente antes y sin haber entendido del todo estas instrucciones de uso, las ilustraciones, especificaciones, reglas de seguridad, así como las indicaciones identificadas con PELIGRO, ADVERTENCIA y PRECAUCIÓN.

Solamente use este aspirador para realizar los trabajos que FEIN ha previsto para el mismo. Únicamente utilice los útiles y accesorios autorizados por FEIN.

Observe también las respectivas prescripciones contra accidentes de trabajo vigentes en su país.

En caso de no atenerse a las instrucciones de seguridad mencionadas en la documentación previamente citada, ello puede provocar una electrocución, incendio y/o lesión grave.

Guarde estas instrucciones de uso para posteriores consultas y entréguelas al usuario en caso de prestar o vender la máquina.

GUARDAR ESTAS INSTRUCCIONES EN UN LUGAR SEGURO.

Instrucciones generales de seguridad.

1) Puesto de trabajo

a) **Mantenga limpio y despejado el área de trabajo.** El desorden y una iluminación insuficiente del área de trabajo pueden provocar accidentes.

b) **No trabaje con el aparato en lugares con peligro de explosión, en los que se encuentren líquidos, gases o material en polvo combustibles.** Las herramientas eléctricas generan chispas capaces de incendiar el material en polvo o los vapores.

- c) **Mantenga alejados a los niños y otras personas al utilizar el aspirador.** Una distracción puede hacerle perder el control sobre el aparato.
- 2) **Seguridad eléctrica**
- a) **La clavija del aparato se deberá corresponder con el enchufe empleado. La clavija no deberá modificarse en modo alguno. No use adaptadores de conexión en aparatos protegidos por una toma de tierra.** Las clavijas sin modificar y los enchufes apropiados reducen el riesgo de exponerse a una descarga eléctrica.
- b) **Evite el contacto de su cuerpo con superficies conectadas a tierra como tuberías, calefacciones, cocinas y refrigeradores.** El riesgo de descarga eléctrica es mayor si su cuerpo tiene contacto con tierra.
- c) **No exponga el aparato a la lluvia ni a la humedad.** La penetración de agua en el aparato eléctrico aumenta el riesgo de descarga eléctrica.
- d) **No use la línea para transportar el aparato, ni para colgarlo, ni para jalar la clavija del enchufe. Mantenga la línea alejada del calor, aceite, esquinas agudas o piezas móviles.** Las líneas dañadas o enredadas comportan un mayor riesgo de electrocución.
- e) **Si usa el aspirador para trabajar a la intemperie solamente utilice extensiones autorizadas para su uso en exteriores.** La utilización de una extensión apropiada para su uso en exteriores reduce el riesgo de una descarga eléctrica.
- f) **Si fuese imprescindible utilizar el aspirador en un entorno húmedo, es necesario utilizar un dispositivo de corriente residual (RCD).** El uso de un dispositivo de corriente residual reduce el riesgo a exponerse a una descarga eléctrica.
- 3) **Seguridad personal**
- a) **Esté atento a lo que hace y emplee el aspirador con prudencia. No utilice el aparato si estuviese cansado, ni tampoco después de haber consumido drogas, alcohol o medicamentos.** Un momento de distracción durante el uso del aparato puede provocarle serios daños.
- b) **Evite una puesta en marcha accidental. Asegúrese de que el switch se encuentre en la posición "AUS" (Off) antes de conectar la clavija al enchufe.** Si transporta el aparato sujetándolo por el switch, o al conectar el aparato estando el switch en la posición de encendido, ello puede dar lugar a un accidente.
- c) **Sea precavido. Trabaje sobre una base firme y mantenga el equilibrio en todo momento.** Ello le permitirá controlar mejor el aparato al presentarse una situación inesperada.
- 4) **Trato y uso cuidadoso de aspiradores**
- a) **No sobrecargue el aparato. Emplee el aspirador adecuado al trabajo que quiera realizar.** Con el aspirador apropiado trabajará mejor y más seguro dentro del margen de potencia indicado.
- b) **No use aspiradores con un switch defectuoso.** Los aspiradores que no puedan conectarse o desconectarse son peligrosos y deben hacerse reparar.
- c) **Saque la clavija del enchufe antes de efectuar ajustes en el aparato, al cambiar accesorios, o al guardar el aparato.** Esta medida preventiva evita la conexión fortuita del aparato.
- d) **Guarde los aspiradores fuera del alcance de los niños. No permita que empleen el aparato aquellas personas que no estén familiarizadas con su uso o que no hayan leído estas instrucciones.** Los aspiradores pueden ser peligrosos si son empleados por personas inexpertas.
- e) **Cuide con esmero el aparato. Verifique que las piezas móviles del aparato funcionen correctamente, sin atorarse, e inspeccione si existen piezas rotas o dañadas que pudieran afectar al funcionamiento del mismo. Haga reparar las piezas deterioradas antes de volver a poner en marcha el aparato.** Muchos de los accidentes obedecen a un mantenimiento deficiente de los aspiradores.

- f) **Utilice el aspirador, los accesorios, etc. de acuerdo a estas instrucciones y en el modo que se indica para este aparato específico. Considere en ello las condiciones de trabajo y la tarea que va a realizar.** El uso de aspiradores para aplicaciones diferentes de las previstas puede resultar peligroso.
- 5) **Servicio técnico**
a) **Únicamente haga reparar su aspirador con refacciones originales por un profesional cualificado.** Solamente así se garantiza la seguridad del aspirador.

Instrucciones de seguridad especiales.

Utilice un equipo de protección personal. Dependiendo del trabajo a realizar use una careta, una protección para los ojos, o unas gafas de protección. Si procede, emplee una mascarilla antipolvo, protectores auditivos, guantes de protección o un mandil especial adecuado para protegerle de los pequeños fragmentos que pudieran salir proyectados al desprenderse del útil o pieza. Las gafas de protección deberán ser indicadas para protegerle de los fragmentos que pudieran salir despedidos al trabajar. La mascarilla antipolvo o respiratoria deberá ser apta para filtrar las partículas producidas al trabajar. La exposición prolongada al ruido puede provocar sordera.

Únicamente conecte el aspirador a un enchufe reglamentario con contacto de protección. Solamente use cables de conexión sin dañar y extensiones con contacto de protección que sean checadas con regularidad. Un conductor de protección interrumpido puede exponerle a una descarga eléctrica.

El racor de conexión con toma de tierra se encarga de disipar las cargas electrostáticas. Si se combinan con accesorios opcionales disipadores de cargas electrostáticas se evita así la formación de chispas y las descargas eléctricas.

Este aspirador no ha sido diseñado para ser utilizado por personas o niños que presenten una discapacidad física, sensorial o mental, o que dispongan de una experiencia y/o conocimientos insuficientes, a no ser que sean supervisados por una persona encargada de velar por su seguridad o de instruirles en el manejo del aspirador.

Vigile a los niños. De esta manera evitará que los niños jueguen con el aspirador.

Al aspirar líquidos solamente deje funcionar el aspirador con el depósito en posición horizontal. De lo contrario podría exponerse a una descarga eléctrica al penetrar agua en el motor del aspirador.

No utilice la línea para jalar el aspirador ni para sacar la clavija del enchufe. Mantenga la línea alejada del calor, aceite, esquinas agudas o piezas móviles. No pase con ruedas por encima de la línea ni tampoco la aplaste. Las líneas dañadas o enredadas comportan un mayor riesgo de electrocución.

Saque la clavija del enchufe antes de cambiar un accesorio. Esta medida preventiva reduce el riesgo de exponerse a una descarga eléctrica.

No aspire materiales nocivos para la salud como, p. ej., polvo de haya, encina, roble, piedra o asbesto. Estos materiales son cancerígenos.

Observe que esté bien ventilado el puesto de trabajo.

No aspire líquidos combustibles ni explosivos como, p. ej., gasolina, aceite, alcohol o solventes. No aspire materiales en polvo calientes ni combustibles. No deje funcionar el aspirador en recintos con peligro de explosión. Los materiales en polvo, los vapores, o los líquidos pueden inflamarse o explotar.

No está permitido atornillar o remachar rótulos ni señales al aspirador. Un aislamiento dañado no le protege de una electrocución. Utilice etiquetas adhesivas.

No use accesorios que no hayan sido previstos o recomendados especialmente por FEIN para este aspirador. El mero hecho de que los accesorios puedan montarse en su aspirador no implica que su uso sea seguro.

Antes de la puesta en marcha inspeccione si están dañados el cable de red y el enchufe.

⚠ ADVERTENCIA Únicamente utilice la base de enchufe del aspirador para los fines indicados en las instrucciones de uso.

También considere las instrucciones de uso y de seguridad indicadas en las instrucciones de uso de la herramienta eléctrica que desee conectar a la base de enchufe del aspirador.

Recomendación: Siempre opere el aspirador a través de un interruptor diferencial (RCD) con una corriente de disparo máxima de 30 mA.

El aspirador solamente deberá almacenarse en interiores.

Emisión de ruidos y vibraciones

(Indicación binumérica según IEC 60335-2-69)

Emisión de ruido

Nivel de de presión sonora L_{pA} (re 20 μ Pa), medido con filtro A en el puesto de trabajo, en decibelios

Turbo I

67

**Turbo II/
Turbo II S2106**

67

Inseguridad K_{pA} , en decibelios

2

2

OBSERVACIÓN: la suma de los valores emitidos medidos, considerando la inseguridad respectiva, representa el límite superior que puede alcanzarse en las mediciones.

🔊 ¡Utilizar unos protectores acústicos!

Valores de medición determinados según normativa del producto pertinente.

Extensiones.

⚠ ADVERTENCIA Si fuese preciso usar una extensión, su longitud y sección del cable deberá seleccionarse de acuerdo a la aplicación prevista para evitar una caída de tensión en la extensión, una pérdida de potencia y un sobrecalentamiento del aspirador. De lo contrario, se presentan peligros de origen eléctrico en la extensión y en el aspirador, además de reducirse sus prestaciones.

Longitudes y secciones del cable recomendadas para las extensiones al trabajar con una tensión alterna monofásica de 120 V, teniendo conectado solamente un Turbo I, Turbo II, Turbo II S2106:

Longitud de la línea en pies			Longitud de la línea en m		
≤ 100	100 -200	200 -300	≤ 30	30 - 60	60 -100
Calibre A.W.G. del cable, mín.			Sección del cable en mm ² , mín.		
16	14	12	1.5	2.5	4

Utilización reglamentaria del aspirador:

Aspirador de líquidos y sólidos para uso con los accesorios homologados por FEIN en lugares cubiertos, para aspirar material en polvo seco que no sea nocivo para la salud y pequeñas partículas de suciedad pertenecientes a la clase de polvo L, especialmente en combinación con herramientas eléctricas al realizar trabajos que produzcan polvo, así como para aspirar líquidos no inflamables.



ADVERTENCIA

El aspirador contiene material en polvo nocivo para la salud. Solamente permita que sea un profesional quien se encargue de vaciar y mantener el aparato, así como de desechar el depósito colector de polvo. Para ello se requiere el correspondiente equipo de protección. No use el aspirador sin tener montados todos los filtros. De lo contrario pone en peligro su salud.

Alimentación de la herramienta eléctrica con un grupo electrógeno.







Este aspirador es apto además para ser utilizado con grupos electrógenos de alterna siempre que dispongan de suficiente potencia y cumplan los requisitos según norma ISO 8528 para la clase de ejecución G2. Deberá prestarse especial atención a no sobrepasar el coeficiente de distorsión máximo del 10 % establecido en dicha norma. En caso de duda consulte los datos del grupo que Ud. utiliza.

ADVERTENCIA

Esta prohibido conectar el aspirador a generadores de corriente cuya tensión en vacío sea superior a la tensión indicada en la placa de características de la herramienta eléctrica.

Simbología.

Símbolo	Definición
	Es imprescindible leer los documentos que se adjuntan, como las instrucciones de servicio y las instrucciones generales de seguridad.
	Antes de realizar el paso de trabajo descrito, sacar el enchufe de la red. En caso contrario, podría accidentarse al ponerse en marcha fortuitamente la herramienta eléctrica.
	¡Seguir las instrucciones indicadas al margen!
	¡Seguir las instrucciones indicadas al margen!
	Al trabajar protegerse los ojos.
	Al trabajar utilizar un protector acústico.
	Conexión
	Desconexión
	Este símbolo confirma que este producto ha sido certificado en USA y Canadá.
	Símbolo de prohibición general. Esta acción está prohibida.

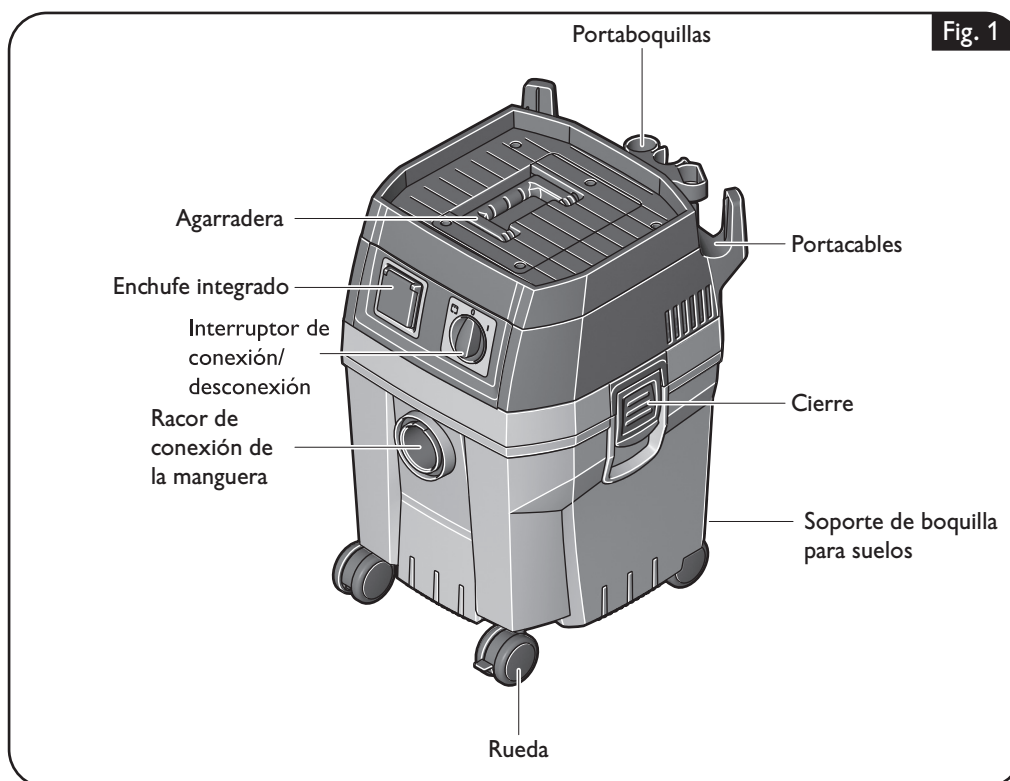
Símbolo	Definición
 PELIGRO	Este símbolo advierte sobre una situación peligrosa inminente. Un comportamiento incorrecto puede dar lugar a una lesión grave o incluso mortal.
 ADVERTENCIA	Este símbolo advierte sobre una situación peligrosa que puede comportar lesiones graves o mortales.
 ATENCIÓN	Este símbolo advierte sobre una situación peligrosa en la que pudiera lesionarse.
	Acumular por separado las herramientas eléctricas y demás productos electrotécnicos y eléctricos inservibles y someterlos a un reciclaje ecológico.
	Producto dotado con un aislamiento base además de tener conectadas al conductor de tierra las piezas conductoras de corriente susceptibles de ser tocadas.
~ o a. c.	Corriente alterna
1 ~	Corriente alterna monofásica
IPX4	Grado de protección
	Disipativo electrostático

Símbolo	Unidad nacional	Definición
n_0	rpm; /min; min^{-1} ; r/min	Revoluciones en vacío
P	W	Unidad de medida de la potencia
P_{Max}	W	Potencia absorbida, máx.
	°	Unidad de medida del ángulo
U	V	Unidad de medida de la tensión eléctrica
f	Hz	Unidad de medida de la frecuencia
I	A	Unidad de medida de la intensidad
m	lbs	Unidad de medida de la masa
l	ft, in	Unidad de medida para la longitud, ancho, altura, profundidad, diámetro o roscas
\varnothing	ft, in	Diámetro de una pieza redonda
$K...$		Incertidumbre
a	m/s^2	Valor de vibraciones emitidas según norma EN 60745 (suma vectorial de tres direcciones)
	m, s, kg, A, mm, V, W, Hz, N, °C, dB, min, m/s^2	Unidades básicas y unidades derivadas del sistema internacional de unidades SI .

Descripción técnica y especificaciones.

⚠ ADVERTENCIA Saque la clavija del enchufe antes de montar o cambiar los accesorios. Esta medida de seguridad preventiva evita los accidentes que pudieran presentarse en caso de una puesta en marcha involuntaria del aspirador.

Es posible que los accesorios suministrados de serie con su aspirador sólo sean algunos de los accesorios descritos o mostrados en estas instrucciones de uso.



Tipo	Turbo I	Turbo II/ Turbo II S2106
N° de referencia	9 20 35	9 20 36
Corriente absorbida	9 A	9 A
Corriente máx. conectable a la base de enchufe integrada	1 – 6 A	1 – 6 A
Capacidad del depósito	5.8 gal 22 l	8.4 gal 32 l
Cabida de líquido	3.4 gal 13 l	6.9 gal 26 l
Caudal con manguera de 4 m	72 cfm 34 l/s	72 cfm 34 l/s
Caudal en ventilador	151 cfm 71 l/s	151 cfm 71 l/s
Vacío	24.5 kPa	24.5 kPa
Longitud x ancho x altura	440 mm x 380 mm x 471 mm	440 mm x 380 mm x 569 mm
Peso según EPTA-Procedure 01	17.8 lbs (8.1 kg)	20.1 lbs (9.1 kg)
Clase de protección	⊕/I	⊕/I

Cambio de útil.

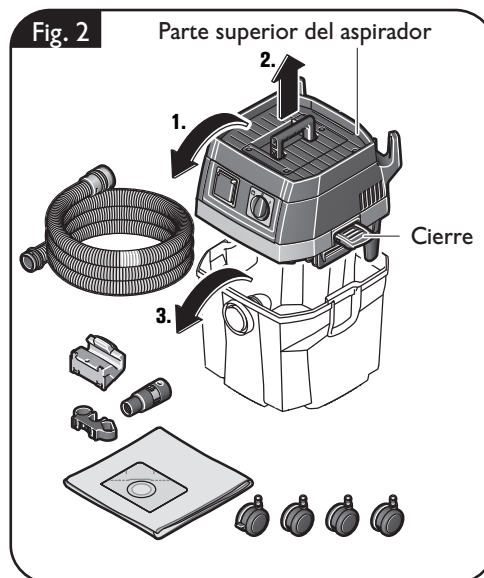
⚠ ADVERTENCIA Saque la clavija del enchufe antes de montar o cambiar los accesorios. Esta medida de seguridad preventiva evita los accidentes que pudieran presentarse en caso de una puesta en marcha involuntaria del aspirador.

Extracción de los accesorios (Figura 2).

Todos los accesorios suministrados se encuentran en el interior del aspirador.

Abra los cierres a ambos lados y retire la parte superior del aspirador.

Saque los accesorios del interior; la figura al margen es tan sólo un ejemplo.



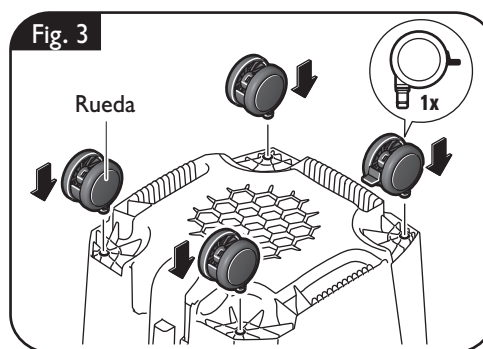
Instrucciones de montaje.

⚠ ADVERTENCIA Saque la clavija del enchufe antes de montar o cambiar los accesorios. Esta medida de seguridad preventiva evita los accidentes que pudieran presentarse en caso de una puesta en marcha involuntaria del aspirador.

Ensamble las piezas accesorio con poca presión. Para desensamblar las piezas gírelas en sentido contrario al tiempo que jala de ellas.

Montaje de las ruedas (Figura 3).

Monte las ruedas.



Introduzca la bolsa de filtración de vellón (Figura 4).

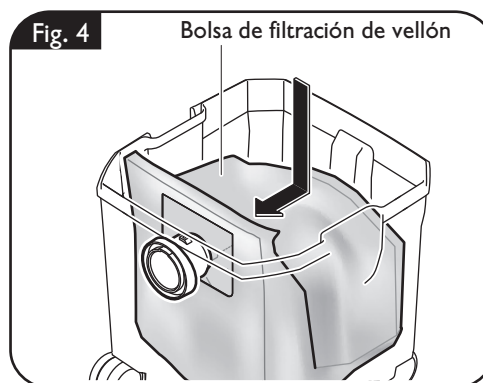
Abra los cierres a ambos lados y retire la parte superior del aspirador.

Agarre la bolsa de filtración de vellón nueva por la brida de cartón, primero por abajo, y después por arriba y desplácela por encima del resalte de retención.

Al montar la bolsa de filtración de vellón cuide que la brida de cartón y la bolsa de papel asienten completamente contra la pared interior del depósito.

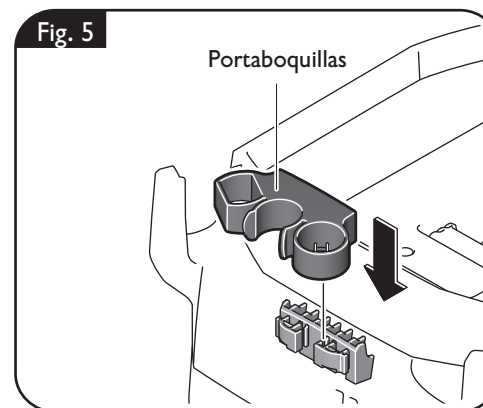
Monte la parte superior del aspirador y cierre los cierres.

Una vez sacada la bolsa de filtración de vellón ciérrela con la solapa para evitar ensuciamientos.



Montaje del portaboquillas (Figura 5).

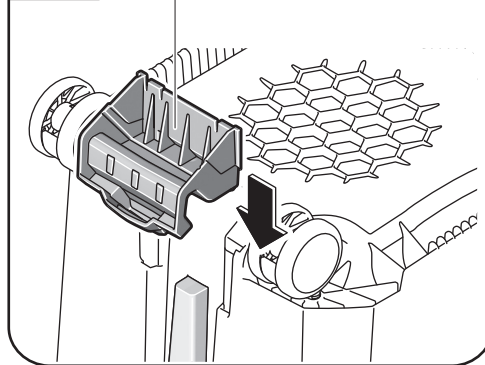
Monte el portaboquillas.



Montaje del portaboquillas para suelos (Figura 6).

Monte el portaboquillas para suelos.

Fig 6 Soporte de boquilla para suelos

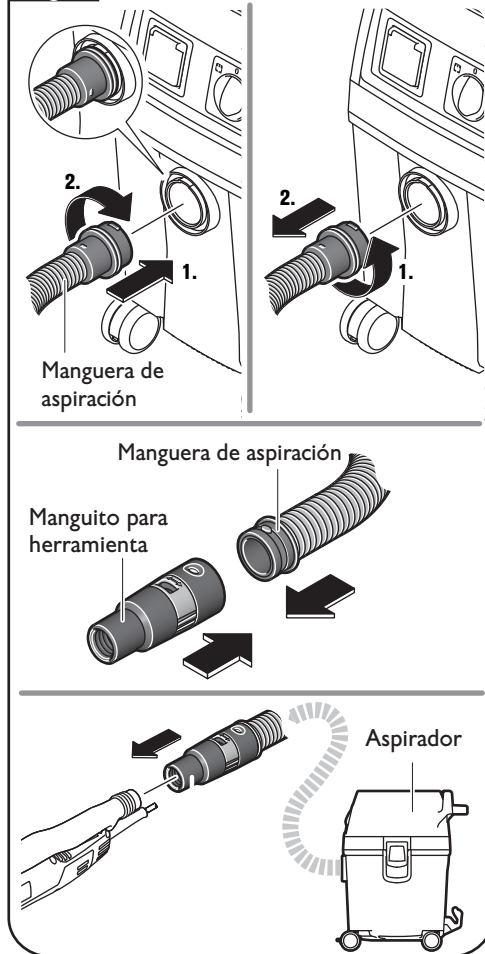


Conexión de la manguera de aspiración (Figura 7).

Inserte hasta el tope la manguera de aspiración en el racor de conexión de la manguera. Bloquee el cierre girándolo levemente.

Conecte el manguito para herramienta a la manguera de aspiración y a la herramienta eléctrica que desee.

Fig. 7



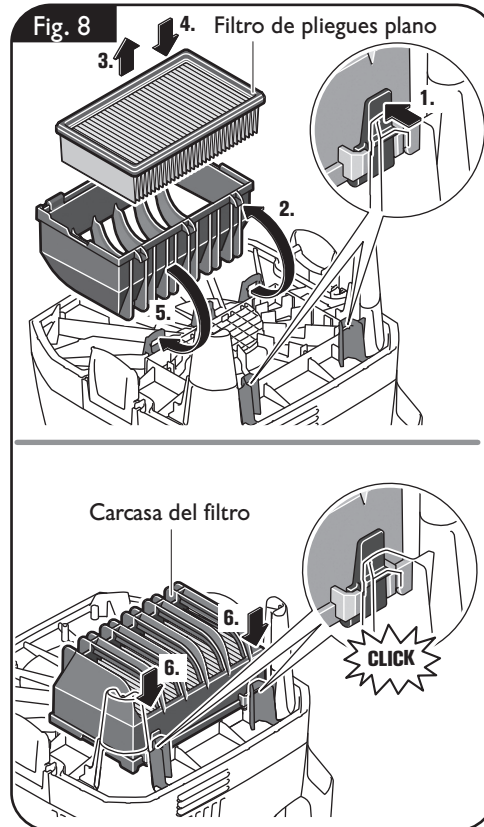
Montaje y limpieza del filtro de pliegues plano (Figura 8).

❗ Si ha aspirado líquidos, antes de aspirar sólidos secos deje que se seque primero el filtro de pliegues plano o cámbielo por otro ya seco. De lo contrario quedaría inservible el filtro de pliegues plano.

Observe que el filtro de pliegues plano esté siempre seco y límpielo con regularidad.

Para desmontarlo, presione hacia dentro el bloqueo y retire el filtro de pliegues plano junto con la carcasa del mismo.

Limpie con regularidad el filtro de pliegues plano golpeándolo con fuerza contra el suelo varias veces tras haberlo sacado del aparato. Monte el filtro de pliegues plano limpio, o uno nuevo, en la carcasa del filtro y sujete esta última encajándola en los orificios y bloqueos.



Instrucciones para la operación.

⚠ ADVERTENCIA Saque la clavija del enchufe antes de montar o cambiar los accesorios. Esta medida de seguridad preventiva evita los accidentes que pudieran presentarse en caso de una puesta en marcha involuntaria del aspirador.

Conexión y desconexión (Figura 9).

⚠ ADVERTENCIA Asegúrese primeramente del perfecto estado de la línea y de la clavija.

Conexión:

Coloque el switch en la posición (I).

Desconexión:

Coloque el switch en la posición (0).

Encendido y apagado, teniendo conectada una herramienta eléctrica:

Apague el aspirador antes de conectar la herramienta eléctrica a la base de enchufe del aspirador. Solamente conecte a la base de enchufe del aspirador la herramienta eléctrica estando ésta apagada.

El aspirador se enciende y se apaga automáticamente a través de la herramienta eléctrica conectada a la base de enchufe integrada.

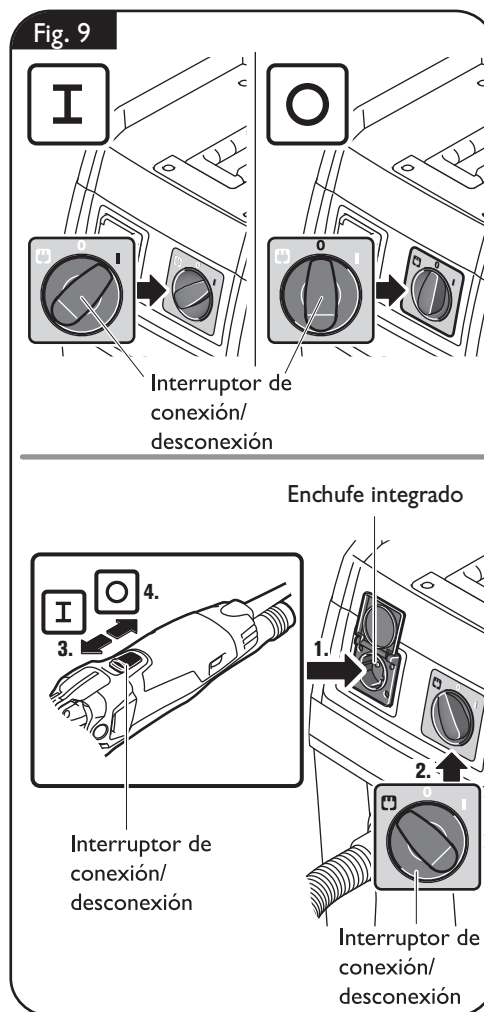
Conecte la clavija de la herramienta eléctrica a la base de enchufe integrada.

Gire el switch del aspirador hacia el símbolo con la clavija.

Encienda o apague la herramienta eléctrica; el aspirador arranca o se detiene automáticamente.

Después de apagar una herramienta eléctrica conectada a la base de enchufe del aspirador éste sigue funcionando todavía aprox.

15 segundos y se detiene entonces automáticamente.

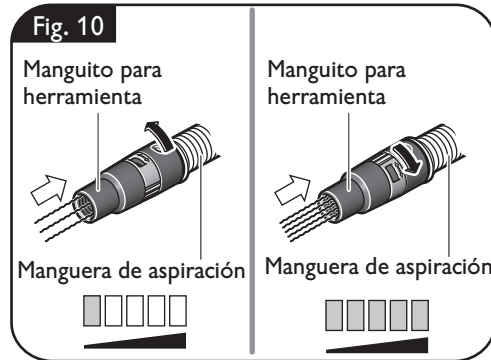


Regulación del caudal de aire (Figura 10).

El caudal de aire puede aumentarse y reducirse de forma continua.

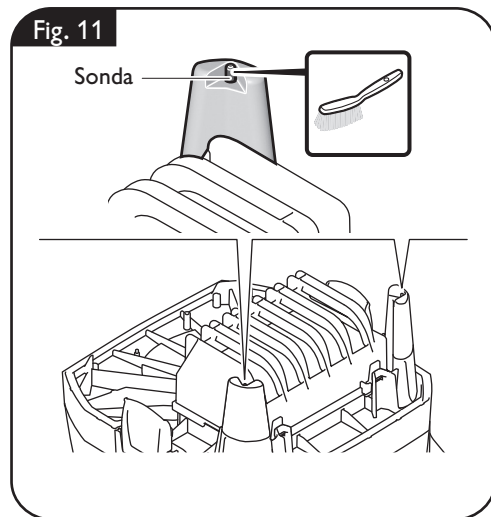
Gire el regulador del caudal de aire hacia la izquierda para aumentar el caudal de aire.

Gire el regulador del caudal de aire hacia la derecha para reducir el caudal de aire.



Limpieza de las sondas (Figura 11).

Al terminar de aspirar líquidos limpie las sondas y sus huecos con un cepillo.



Indicaciones adicionales.

Al aspirar líquidos solamente utilice el filtro de pliegues plano SIN la bolsa de filtración de vellón.

Al aspirar sólidos secos siempre utilice el filtro de pliegues plano CON la bolsa de filtración de vellón.

⚠ ATENCIÓN Jamás aspire polvo sin tener montado el filtro de pliegues plano para no dañar el motor y evitar riesgos para la salud, ya que el ambiente se carga más con polvo fino. Para aspirar polvo fino es necesario emplear además una bolsa de filtración de vellón.

Si el aire de salida es expulsado en el cuarto deberá ser suficiente la tasa de renovación de aire (L) en dicho cuarto. El caudal de aire retornado deberá ser como máximo un 50 %

del caudal de aire fresco (volumen del cuarto x tasa de renovación de aire L_w). Sin unas medidas de ventilación especiales, deberá aplicarse: $L_w = 1 \text{ h}^{-1}$.

Al aspirar líquidos conductores de electricidad el aspirador se desconecta automáticamente al alcanzarse el nivel de llenado máximo en el depósito del mismo (desconexión automática). Saque la clavija del enchufe y vacíe el depósito.

Al aspirar líquidos que no sean conductores de electricidad el aspirador **no se desconecta automáticamente** al alcanzarse el nivel de llenado máximo. Vacíe a tiempo el depósito.

Si comienza a salir espuma del aspirador desconéctelo inmediatamente y vacíe el depósito.

Reparación y servicio técnico.

⚠ ADVERTENCIA Saque la clavija del enchufe antes de montar o cambiar los accesorios. Esta medida de seguridad preventiva evita los accidentes que pudieran presentarse en caso de una puesta en marcha involuntaria del aspirador.

Piezas sustituibles.

Si fuese preciso, puede sustituir Ud. mismo las piezas siguientes:


Bolsa de filtración de vellón, filtro de pliegues plano, manguera, acoplamiento para herramientas


Servicio técnico.

⚠ ADVERTENCIA Únicamente deje realizar los trabajos de mantenimiento por un profesional. Las líneas y componentes mal montados pueden suponer un grave peligro. Deje efectuar el servicio requerido por un servicio técnico FEIN.

La lista de piezas de refacción actual para este aspirador la encuentra en internet bajo www.fein.com.

Mantenimiento y limpieza.

 Cheque las conexiones, juntas y mangueras. Únicamente haga reparar su aparato con refacciones FEIN por un profesional cualificado.

 Vacíe el depósito después de cada uso y elimine la suciedad gruesa y el polvo.

Vacíe el depósito después de aspirar líquidos. A continuación, deje funcionar unos minutos el aspirador junto con los accesorios utilizados, para que se sequen.

En caso de que se dañe el cable de red de la herramienta eléctrica, éste deberá ser reemplazado por el fabricante o por su representante.

Al menos una vez al año el aspirador deberá ser sometido por el fabricante o una persona capacitada para ello a un chequeo técnico de las facultades técnicas para la aspiración de polvo como, p. ej., estado del filtro, hermeticidad del aspirador y funcionamiento correcto del dispositivo de control.

En los aspiradores de la clase L que hayan estado ubicados en un entorno contaminado con este tipo de polvo deberán limpiarse todas las piezas y su exterior, o deberán obtenerse convenientemente. Al realizar trabajos de mantenimiento y reparación deberán desecharse todas aquellas piezas ensuciadas que no hayan podido ser limpiadas satisfactoriamente. Estas piezas deberán guardarse en bolsas herméticas y desecharse según corresponda a este tipo de residuo de acuerdo con las disposiciones vigentes al respecto.

Para su mantenimiento por el usuario, es necesario que el aspirador sea desmontado, limpiado y mantenido, dentro de lo viable, cuidando que ello no suponga un peligro para el personal de mantenimiento o demás personas. Antes de su desmontaje deberá limpiarse el aspirador para prevenir posibles riesgos.

El local previsto para el desmontaje del aspirador deberá estar bien ventilado. Utilice un equipo de protección personal durante los trabajos de mantenimiento. Una vez concluidos los trabajos de mantenimiento deberá limpiarse el área en el que fueron realizados estos trabajos.

Los productos que hayan tenido contacto con asbesto no se harán reparar. Deseche los productos contaminados con asbesto de acuerdo a las prescripciones vigentes en su país sobre la eliminación de residuos que contengan asbesto.

Garantía.

La garantía del producto se realiza de acuerdo a las regulaciones legales vigentes en el país de adquisición. Adicionalmente, FEIN ofrece una garantía ampliada de acuerdo con la declaración de garantía del fabricante FEIN.

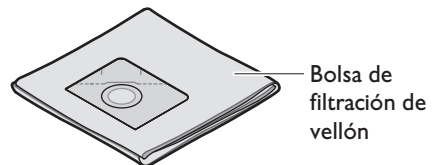
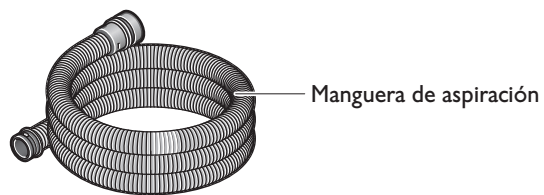
El material de serie suministrado con su herramienta eléctrica puede que no corresponda en su totalidad al material descrito o mostrado en estas instrucciones de servicio.

Protección del medio ambiente, eliminación.

Los embalajes, y las herramientas eléctricas y accesorios inservibles deberán entregarse a los puntos de recogida correspondientes para que puedan ser sometidos a un reciclaje ecológico. Informaciones adicionales al respecto las obtiene en su comercio especializado habitual.

Accesorios incluidos en el suministro (Figura 12).

Fig. 12



Turbo I
3 13 45 061 01 0

Turbo II / Turbo II S2106
3 13 45 062 01 0

